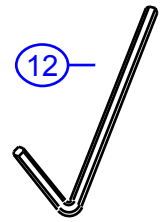
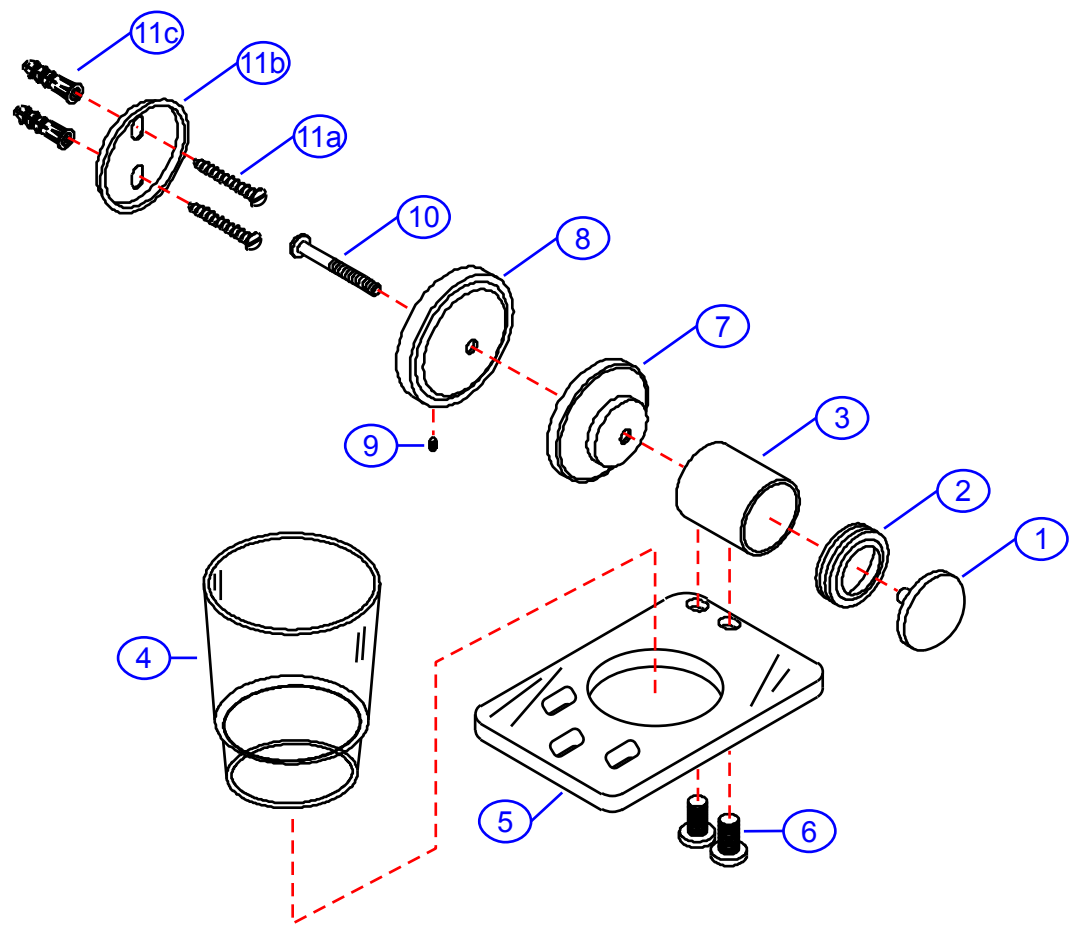


# 37-M

by Associated Marketing Concepts  
21624 Marilla Street, Chatsworth, CA 91311-4123  
(800) 270-4262 | (818) 678-1651 | FAX (818) 678-1655  
www.ambassador-amc.com



|                   |         |               |                    |         |                       |
|-------------------|---------|---------------|--------------------|---------|-----------------------|
| By                | SS      | Main Finish   | Chrome             | Model # | <b>37-M</b>           |
| Modified/Approved | 12-8-04 | Accent Finish | 18k Gold / Acrylic | Series  | Multi-Ring            |
| Fulfillment       | xxxxCG  | Valve         | NA                 | Type    | Cup/Toothbrush Holder |



# 37-M



## Multi-Ring Cup/Toothbrush Holder- CG

| #   | Description            | Quantity | Part #      | Finish        |
|-----|------------------------|----------|-------------|---------------|
| 1   | Cap                    | 1        | E-243051CP  | Chrome        |
| 2   | Multi-Ring Ring        | 1        | E-243915GP  | Gold          |
| 3   | Body                   | 1        | E-240331CP* | Chrome        |
| 4   | Cup (Plastic)          | 1        | E-265032    | Acrylic       |
|     | Cup (Glass) *OPTIONAL* | 1        | G-D00311    | Glass         |
| 5   | Cup/Toothbrush Dish    | 1        | E-244000    | Acrylic       |
| 6   | Screw                  | 2        | E-075067ZN  | Metal         |
| 7a  | Base Cover             | 1        | E-241031GP* | Gold          |
| 7b  | Base                   | 1        | E-241010ZN* | Metal         |
| 8   | Set Screw              | 1        | E-075038    | Metal         |
| 9   | Post Screw             | 1        | E-075064ZN* | Metal         |
| 10  | Mounting Hardware      | 1        | EA-290015   | Metal/Plastic |
| 10a | Mounting Screw         | 2        | E-053022ZN* | Metal         |
| 10b | Wall Plate             | 1        | E-293002ZN* | Metal         |
| 10c | Mollies                | 2        | E-291001*   | Plastic       |
| 11  | Allen Key              | 1        | E-031000    | Metal         |

\* Grayed parts are not available individually. "Assembled" item required.