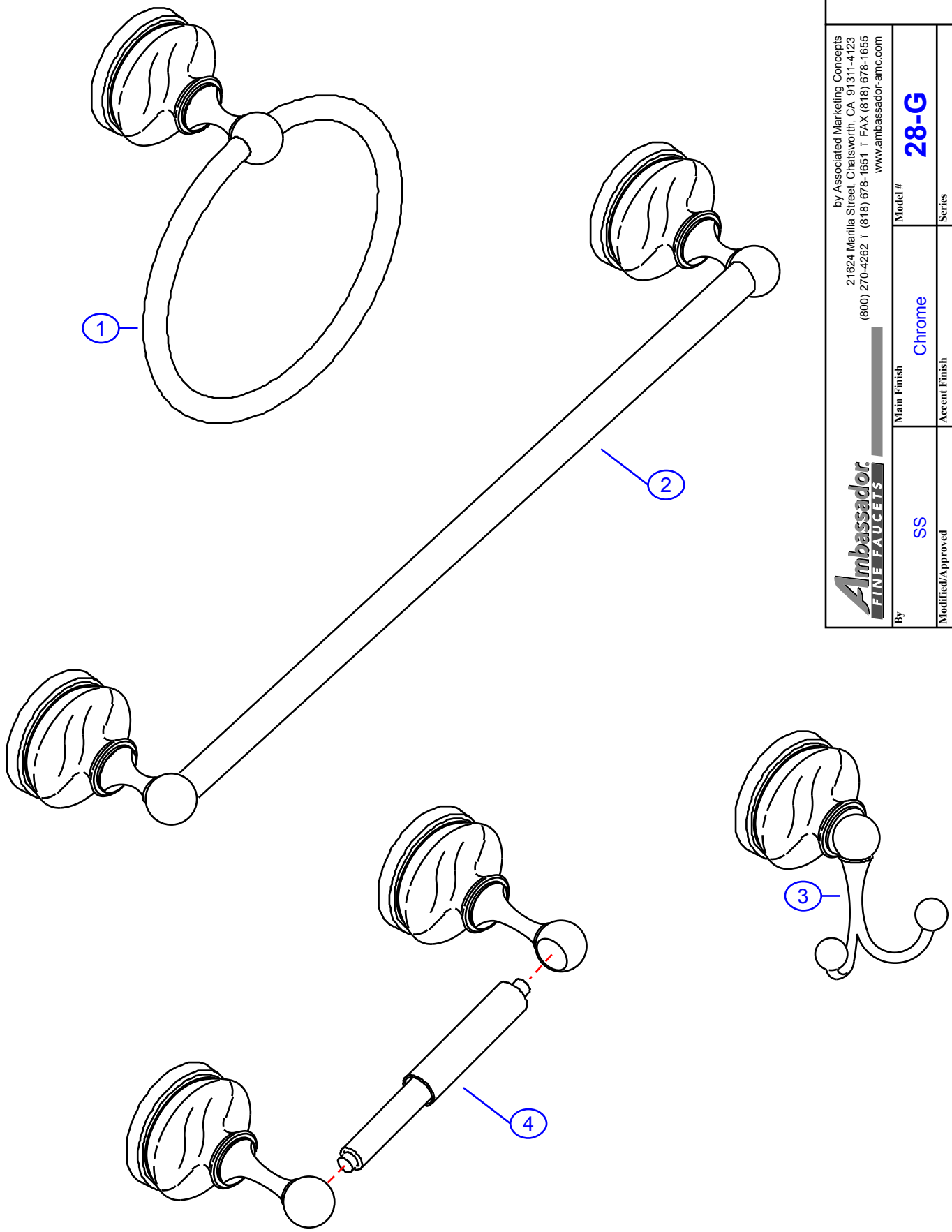


# 28-G

by Associated Marketing Concepts  
21624 Marilla Street, Chatsworth, CA 91311-4123  
(800) 270-4262 | (818) 678-1651 | FAX (818) 678-1655  
www.ambassador-amc.com



By	SS	Main Finish	Chrome	Model #	28-G
Modified/Approved	5-4-04	Accent Finish	Gray Marble	Series	Gray Marble
Fulfillment	xxxxCW	Valve	NA	Type	4 pc Bath Accessory Kit



# 28-G



## Marble 4pc Bath Accessory Kit- CP

#	Description	Quantity	Part #	Finish
1	Towel Ring (see "Towel Rings" for parts)	1	23-G	Chrome/Marble
2	24" Towel Bar (see "Towel Bars" for parts)	1	21-G	Chrome/Marble
3	Robe Hook (see "Robe Hooks" for parts)	1	25-G	Chrome/Marble
4	T.P. Holder (see "Toilet Paper Holder" for parts)	1	24-G	Chrome/Marble

\* Grayed parts are not available individually. "Assembled" item required.