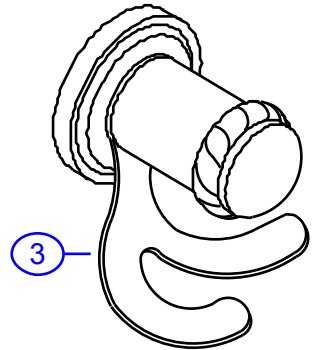
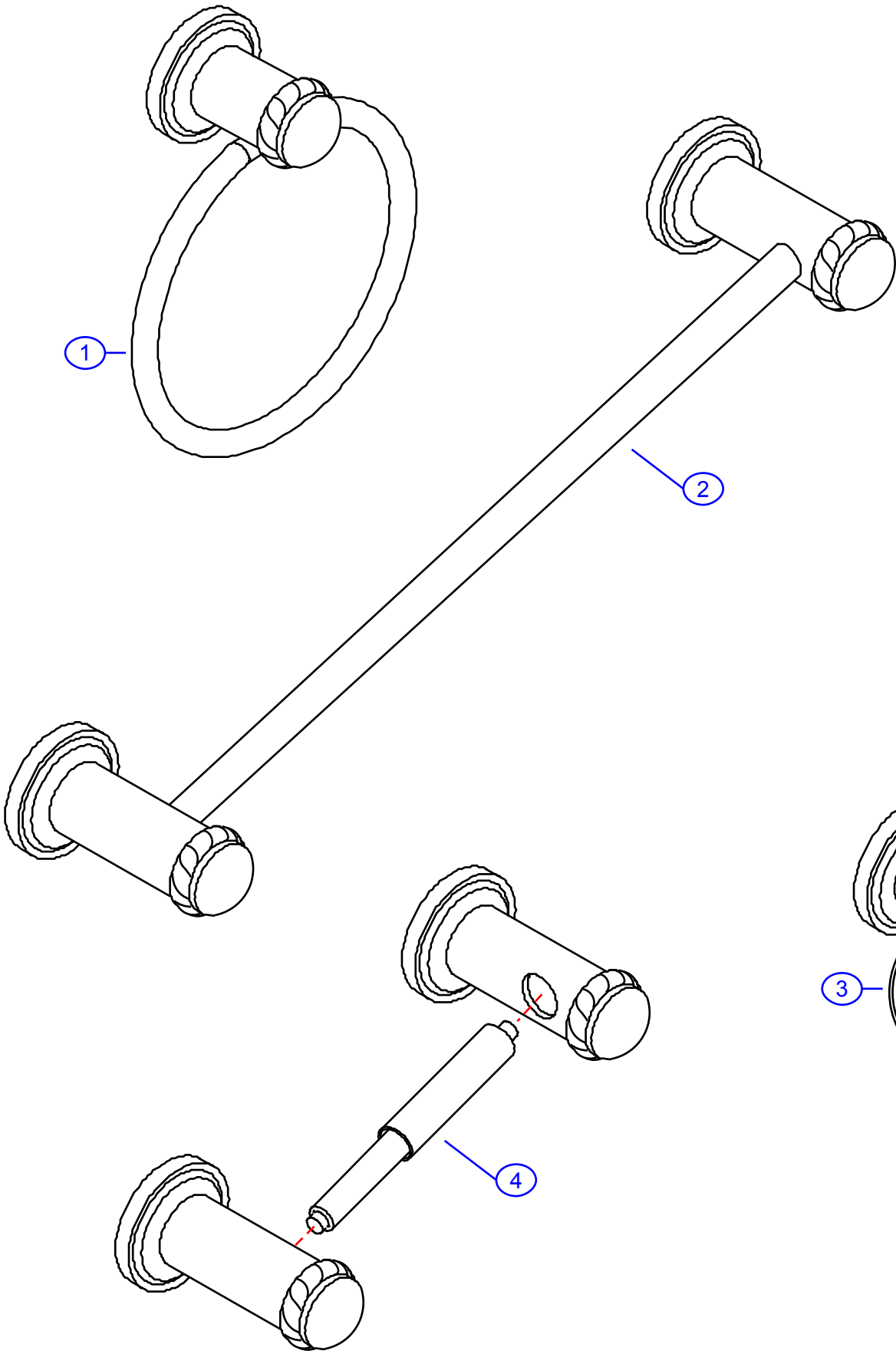


317-5063

by Associated Marketing Concepts
21624 Marilla Street, Chatsworth, CA 91311-4123
(800) 270-4262 | (818) 678-1651 | FAX (818) 678-1655
www.ambassador-amc.com

By	SS	Main Finish	Chrome	Model #	317-5063
Modified/Approved	5-4-04	Accent Finish	18k Gold	Series	Rope Ring
Fulfillment	B11Z0400CG	Valve	NA	Type	4 pc Bath Accessory Kit



1

2

4

3

317-5063



Rope Ring 4pc Bath Accessory Kit- CG

#	Description	Quantity	Part #	Finish
1	Towel Ring (see "Towel Rings" for parts)	1	33-R	Chrome/Gold
2	24" Towel Bar (see "Towel Bars" for parts)	1	31-R	Chrome/Gold
3	Robe Hook (see "Robe Hooks" for parts)	1	35-R	Chrome/Gold
4	T.P. Holder (see "Toilet Paper Holder" for parts)	1	34-R	Chrome/Gold

* Grayed parts are not available individually. "Assembled" item required.