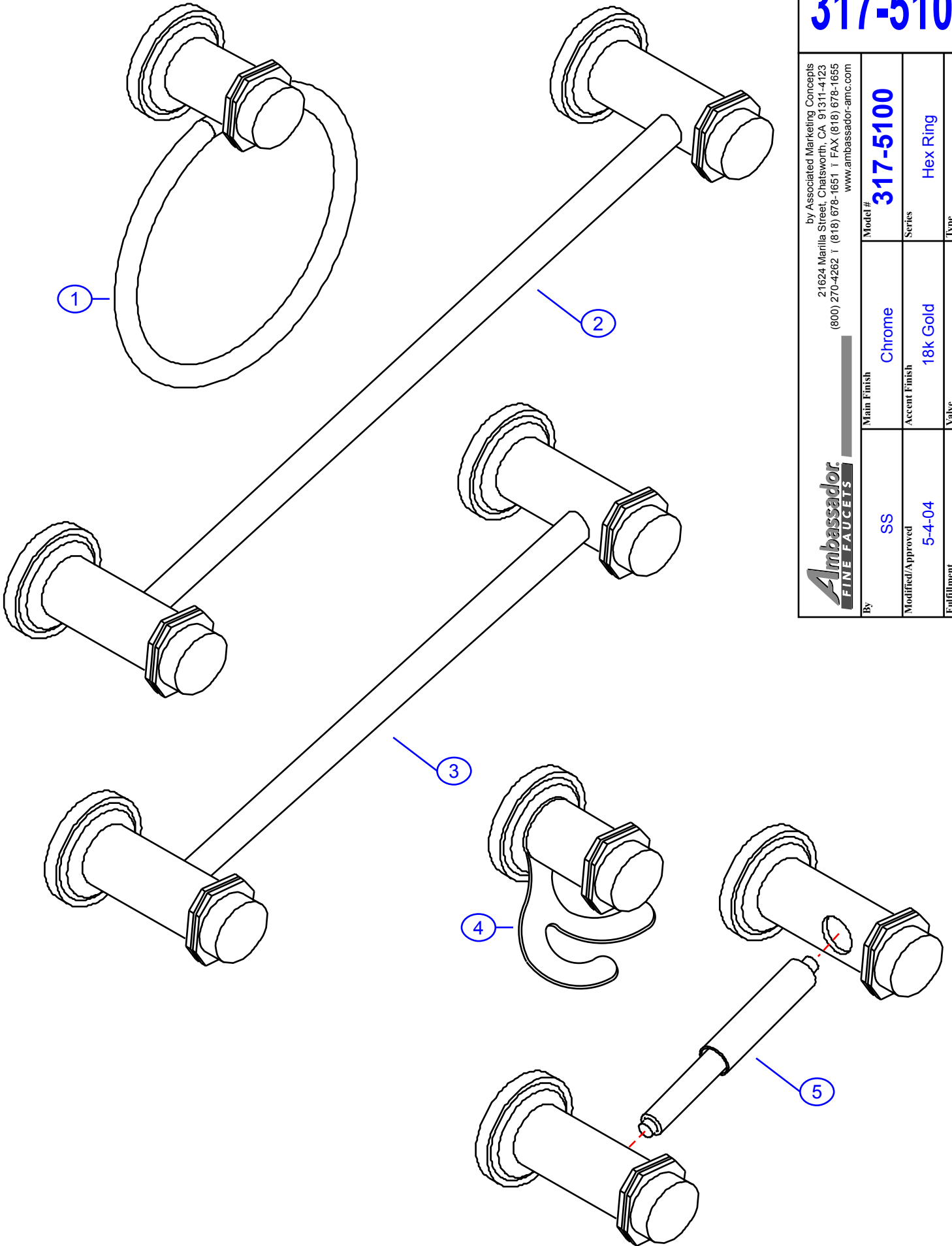


317-5100

by Associated Marketing Concepts
21624 Manilla Street, Chatsworth, CA 91311-4123
(800) 270-4262 | (818) 678-1651 | FAX (818) 678-1655
www.ambassador-amc.com

Ambassador
FINE FAUCETS

By	SS	Main Finish	Chrome	Model #	317-5100
Modified/Approved	5-4-04	Accent Finish	18k Gold	Series	Hex Ring
Fulfillment	xxxxCG	Valve	NA	Type	5 pc Bath Accessory Kit



317-5100



Hex Ring 5pc Bath Accessory Kit- CG

#	Description	Quantity	Part #	Finish
1	Towel Ring (see "Towel Rings" for parts)	1	33-H	Chrome/Gold
2	24" Towel Bar (see "Towel Bars" for parts)	1	31-H	Chrome/Gold
3	18" Towel Bar (see "Towel Bars" for parts)	1	32-H	Chrome/Gold
4	Robe Hook (see "Robe Hooks" for parts)	1	35-H	Chrome/Gold
5	T.P. Holder (see "Toilet Paper Holder" for parts)	1	34-H	Chrome/Gold

* Grayed parts are not available individually. "Assembled" item required.