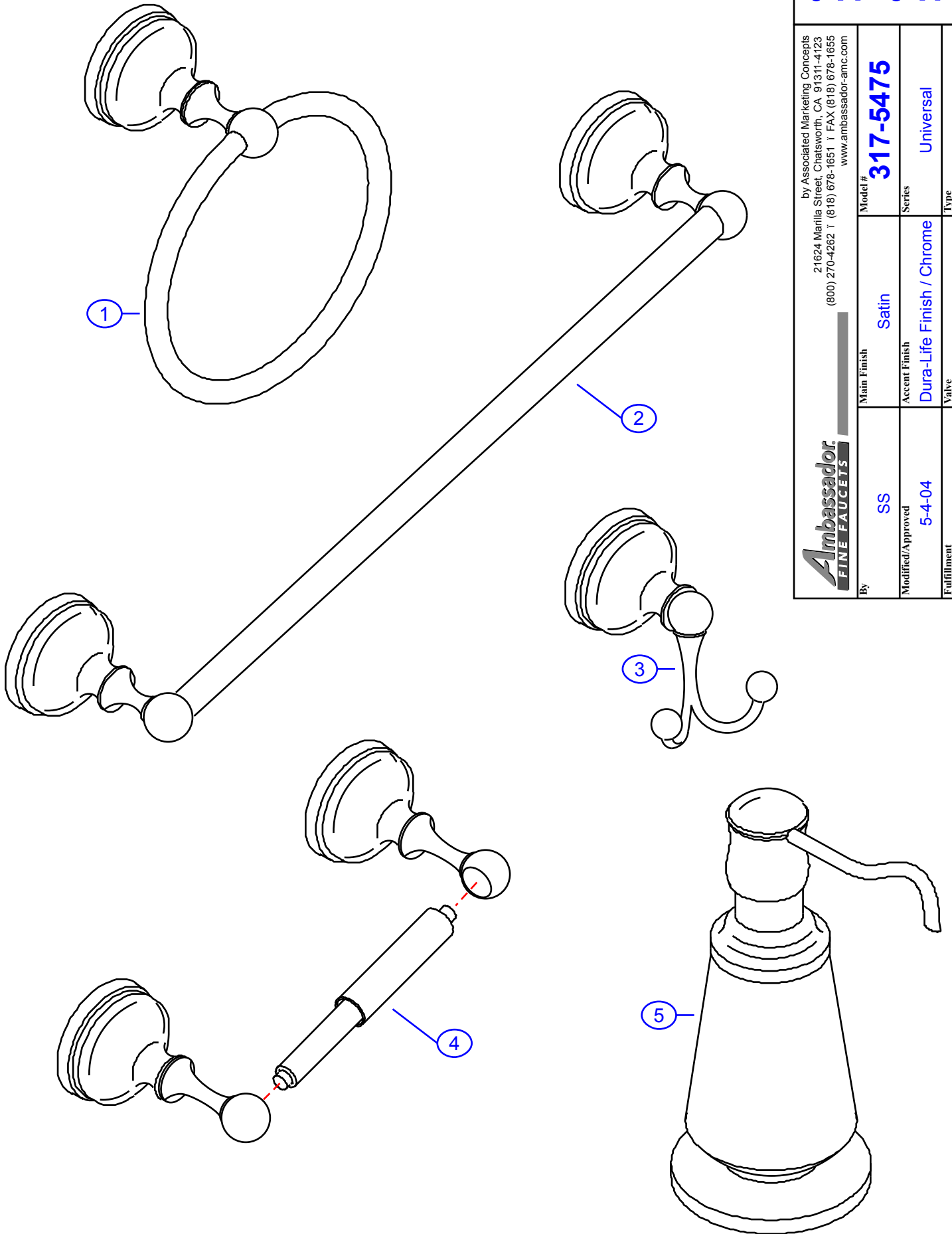


# 317-5475

by Associated Marketing Concepts  
21624 Marilla Street, Chatsworth, CA 91311-4123  
(800) 270-4262 | (818) 678-1651 | FAX (818) 678-1655  
www.ambassador-amc.com



By	SS	Main Finish	Satin	Model #	<b>317-5475</b>
Modified/Approved	5-4-04	Accent Finish	Dura-Life Finish / Chrome	Series	Universal
Fulfillment	xxxxSYC	Valve	NA	Type	5 pc Bath Accessory Kit



# 317-5475



## Universal 5pc Bath Accessory Kit- SDC

#	Description	Quantity	Part #	Finish
1	Towel Ring (see "Towel Rings" for parts)	1	23-SDC	Satin/Dura-Life Finish/Chrome
2	24" Towel Bar (see "Towel Bars" for parts)	1	21-SDC	Satin/Dura-Life Finish/Chrome
3	Robe Hook (see "Robe Hooks" for parts)	1	25-SD	Satin/Dura-Life Finish
4	T.P. Holder (see "Toilet Paper Holders" for parts)	1	24-SDC	Satin/Dura-Life Finish/Chrome
5	Soap Dispenser (see "Soap Dispensers" for parts)	1	6020-SDC	Satin/Dura-Life Finish/Chrome

\* Grayed parts are not available individually. "Assembled" item required.