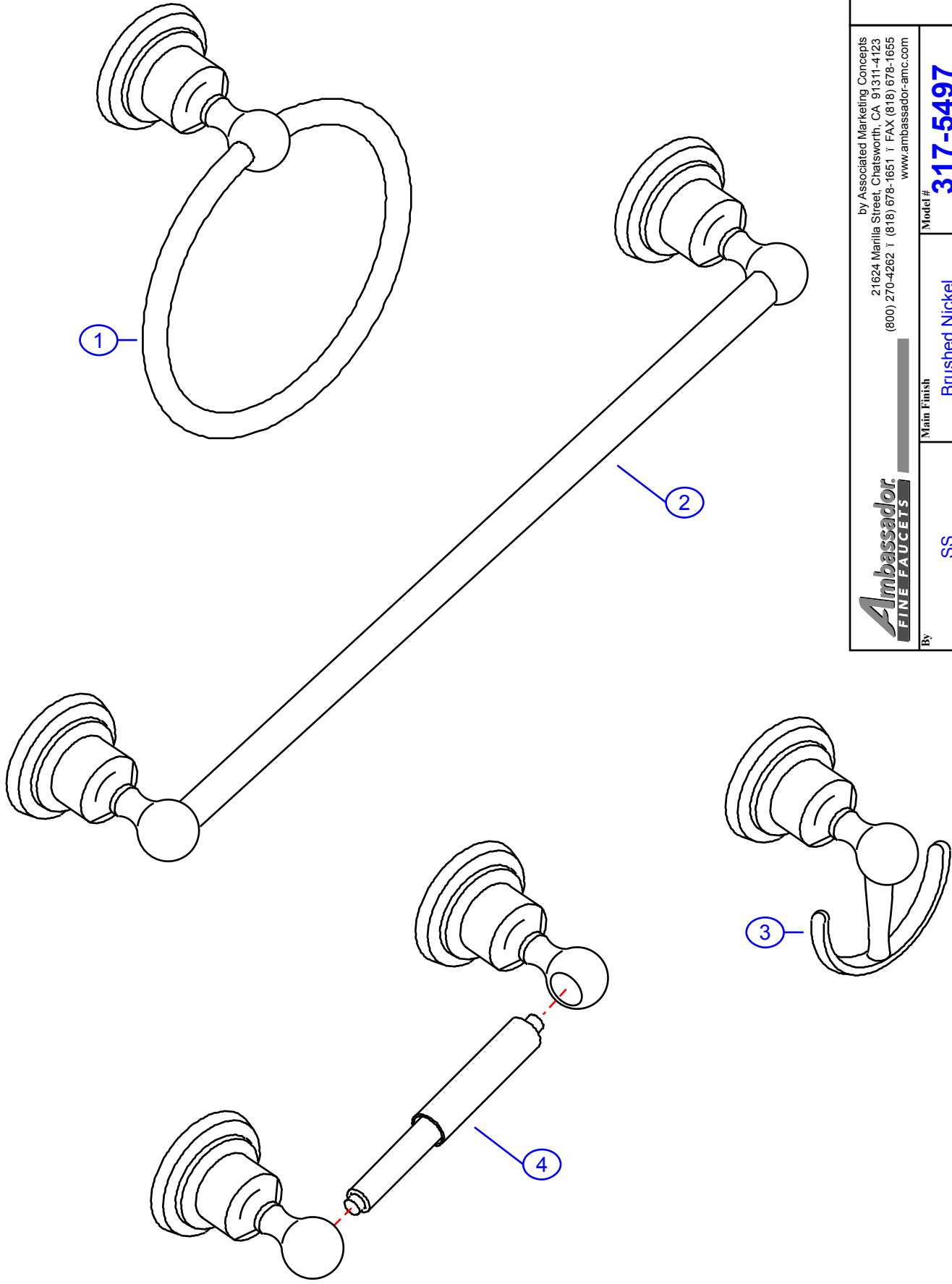


317-5497

by Associated Marketing Concepts
21624 Marilla Street, Chatsworth, CA 91311-4123
(800) 270-4262 | (818) 678-1651 | FAX (818) 678-1655
www.ambassador-amc.com

By	SS	Main Finish	Brushed Nickel	Model #	317-5497
Modified/Approved	5-4-04	Accent Finish	Dura-Life Finish	Series	Bar-Lever (DeRay)
Fulfillment	B52Z1401NY	Valve	NA	Type	4 pc Bath Accessory Kit



317-5497



Bar-Lever (DelRay) 4pc Bath Accessory Kit- NY

#	Description	Quantity	Part #	Finish
1	Towel Ring (see "Towel Rings" for parts)	1	33-E	Brushed Nickel/Dura-Life Finish
2	24" Towel Bar (see "Towel Bars" for parts)	1	31-E	Brushed Nickel/Dura-Life Finish
3	Robe Hook (see "Robe Hooks" for parts)	1	35-E	Brushed Nickel/Dura-Life Finish
4	T.P. Holder (see "Toilet Paper Holder" for parts)	1	34-E	Brushed Nickel/Dura-Life Finish

* Grayed parts are not available individually. "Assembled" item required.

by Associated Marketing Concepts
21624 Marilla Street, Chatsworth, CA 91311-4123
(800) 270-4262 * (818) 678-1651 * FAX (818) 678-1655
www.ambassador-amc.com