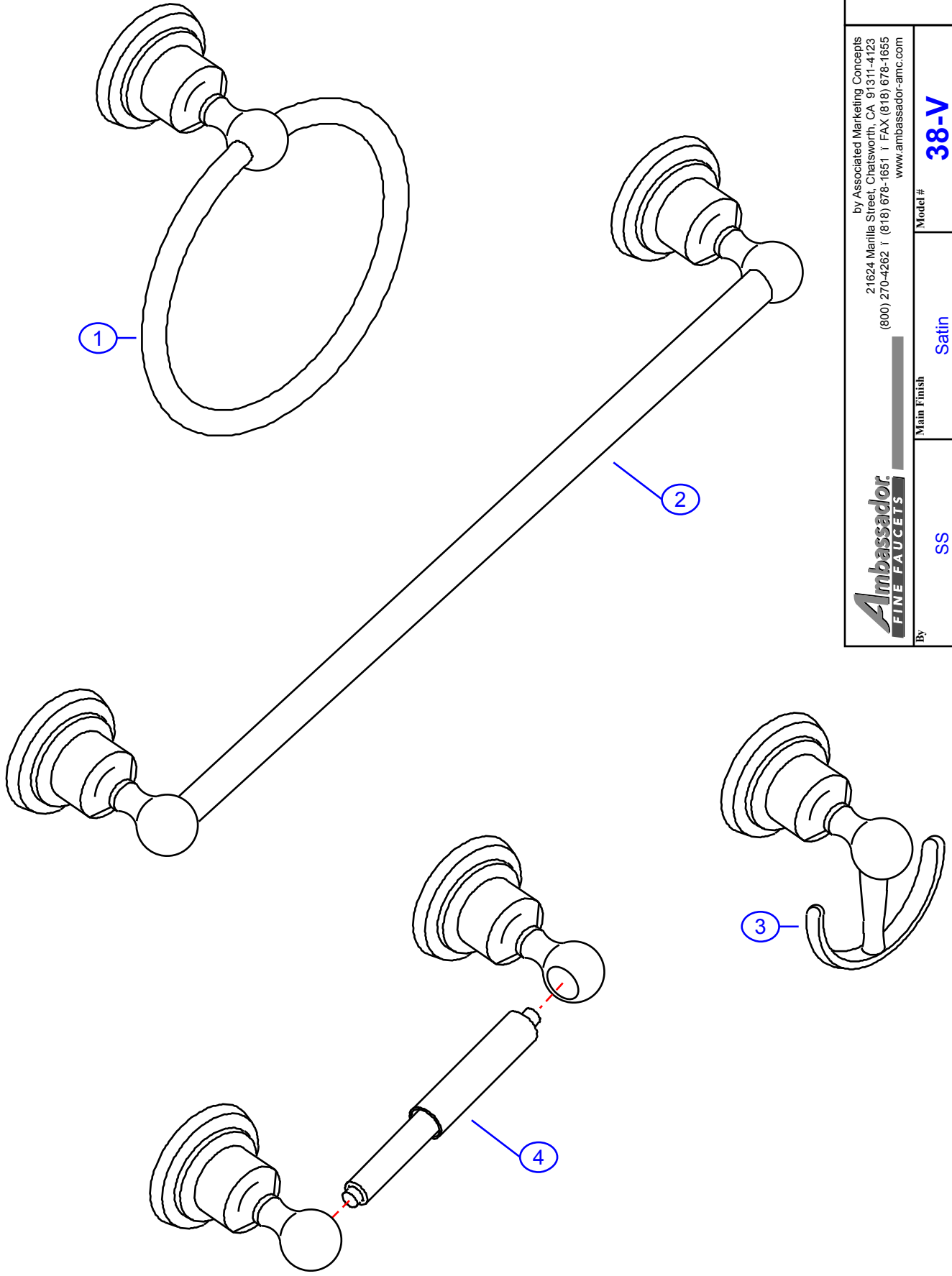


38-V

by Associated Marketing Concepts
21624 Marilla Street, Chatsworth, CA 91311-4123
(800) 270-4262 | (818) 678-1651 | FAX (818) 678-1655
www.ambassador-amc.com

Ambassador
FINE FAUCETS

By	SS	Main Finish	Satin	Model #	38-V
Modified/Approved	5-4-04	Accent Finish	Chrome	Series	Bar-Lever
Fulfillment	B52Z1401SC	Valve	NA	Type	4 pc Bath Accessory Kit



38-V



Bar-Lever 4pc Bath Accessory Kit- SC

#	Description	Quantity	Part #	Finish
1	Towel Ring (see "Towel Rings" for parts)	1	33-V	Satin/Chrome
2	24" Towel Bar (see "Towel Bars" for parts)	1	31-V	Satin/Chrome
3	Robe Hook (see "Robe Hooks" for parts)	1	35-V	Satin/Chrome
4	T.P. Holder (see "Toilet Paper Holder" for parts)	1	34-V	Satin/Chrome

* Grayed parts are not available individually. "Assembled" item required.