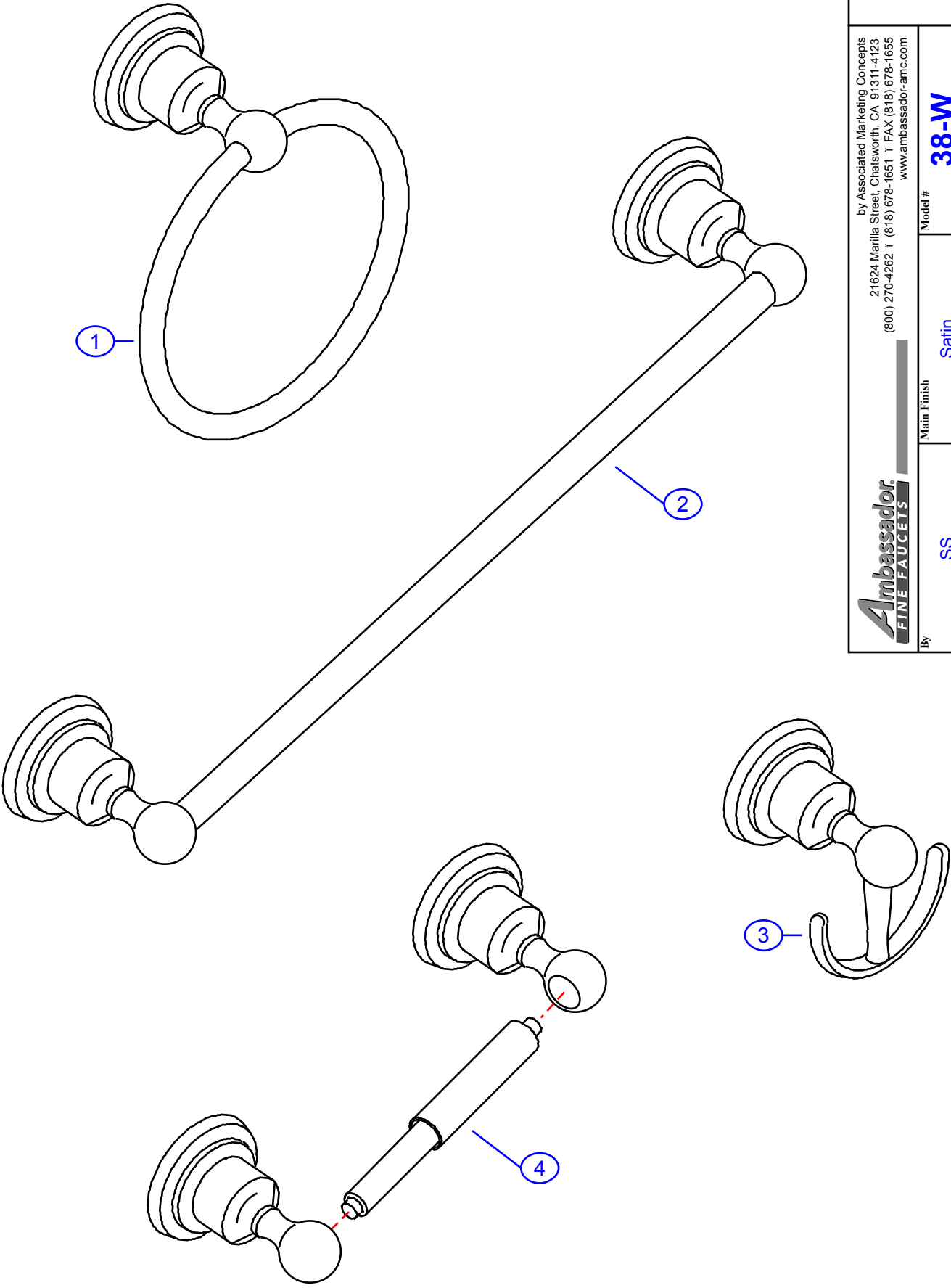


# 38-W

by Associated Marketing Concepts  
21624 Marilla Street, Chatsworth, CA 91311-4123  
(800) 270-4262 | (818) 678-1651 | FAX (818) 678-1655  
www.ambassador-amc.com

By	SS	Main Finish	Satin	Model #	38-W
Modified/Approved	5-4-04	Accent Finish	None	Series	Bar-Lever
Fulfillment	B52Z1401ST	Valve	NA	Type	4 pc Bath Accessory Kit



# 38-W



## Bar-Lever 4pc Bath Accessory Kit- ST

#	Description	Quantity	Part #	Finish
1	Towel Ring (see "Towel Rings" for parts)	1	33-W	Satin
2	24" Towel Bar (see "Towel Bars" for parts)	1	31-W	Satin
3	Robe Hook (see "Robe Hooks" for parts)	1	35-W	Satin
4	T.P. Holder (see "Toilet Paper Holder" for parts)	1	34-W	Satin

\* Grayed parts are not available individually. "Assembled" item required.