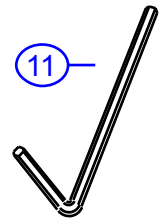
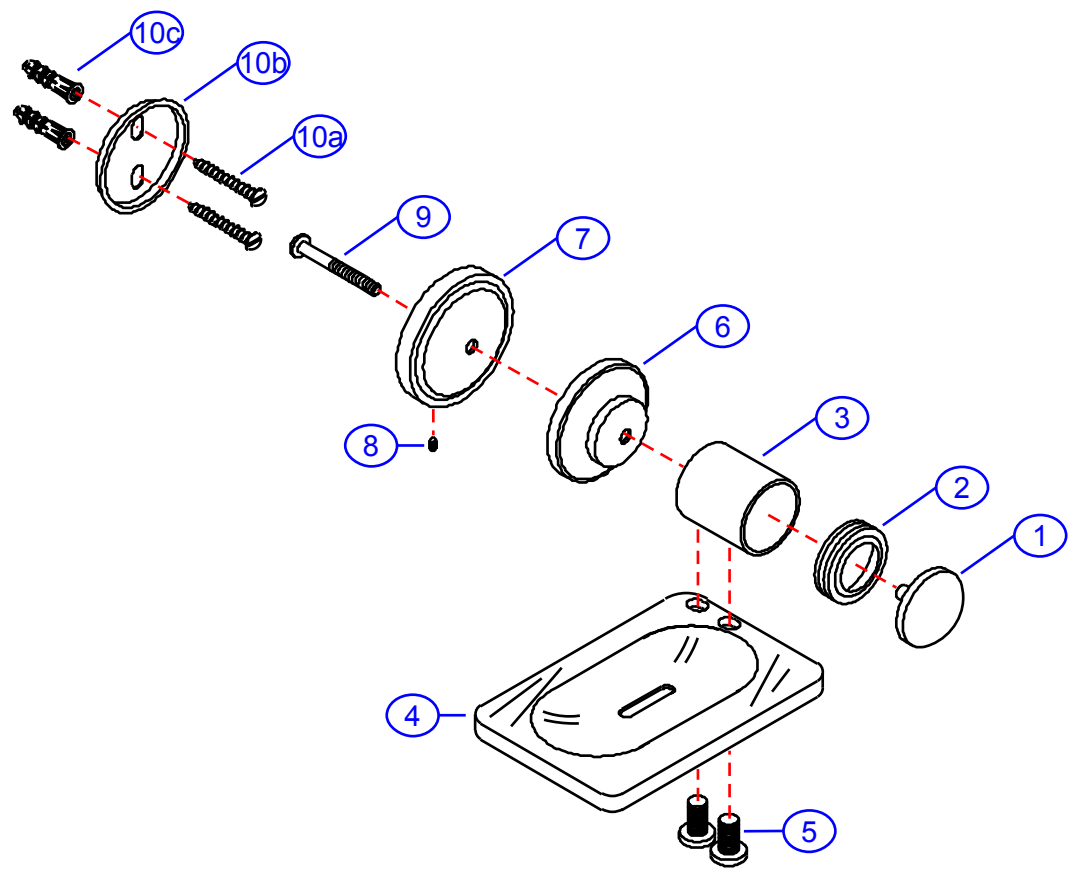


36-M

by Associated Marketing Concepts
21624 Marilla Street, Chatsworth, CA 91311-4123
(800) 270-4262 | (818) 678-1651 | FAX (818) 678-1655
www.ambassador-amc.com



By	SS	Main Finish	Chrome	Model #	36-M
Modified/Approved	12-8-04	Accent Finish	18k Gold / Acrylic	Series	Multi-Ring
Fulfillment	B1074200CG	Valve	NA	Type	Soap Dish



36-M



Multi-Ring Soap Holder- CG

#	Description	Quantity	Part #	Finish
1	Cap	1	E-243051CP	Chrome
2	Multi-Ring Ring	1	E-243915GP	Gold
3	Body	1	E-240331CP*	Chrome
4	Holder	1	E-265041*	Acrylic
5	Screw	2	E-075067ZN	Metal
6	Base Cover	1	E-241031GP*	Gold
7	Base	1	E-241010ZN*	Metal
8	Set Screw	1	E-075038	Metal
9	Post Screw	1	E-075064ZN*	Metal
10	Mounting Hardware	1	EA-290015	Metal/Plastic
10a	Mounting Screw	2	E-053022ZN*	Metal
10b	Wall Plate	1	E-293002ZN*	Metal
10c	Mollies	2	E-291001*	Plastic
11	Allen Key	1	E-031000	Metal

* Grayed parts are not available individually. "Assembled" item required.