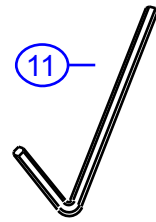
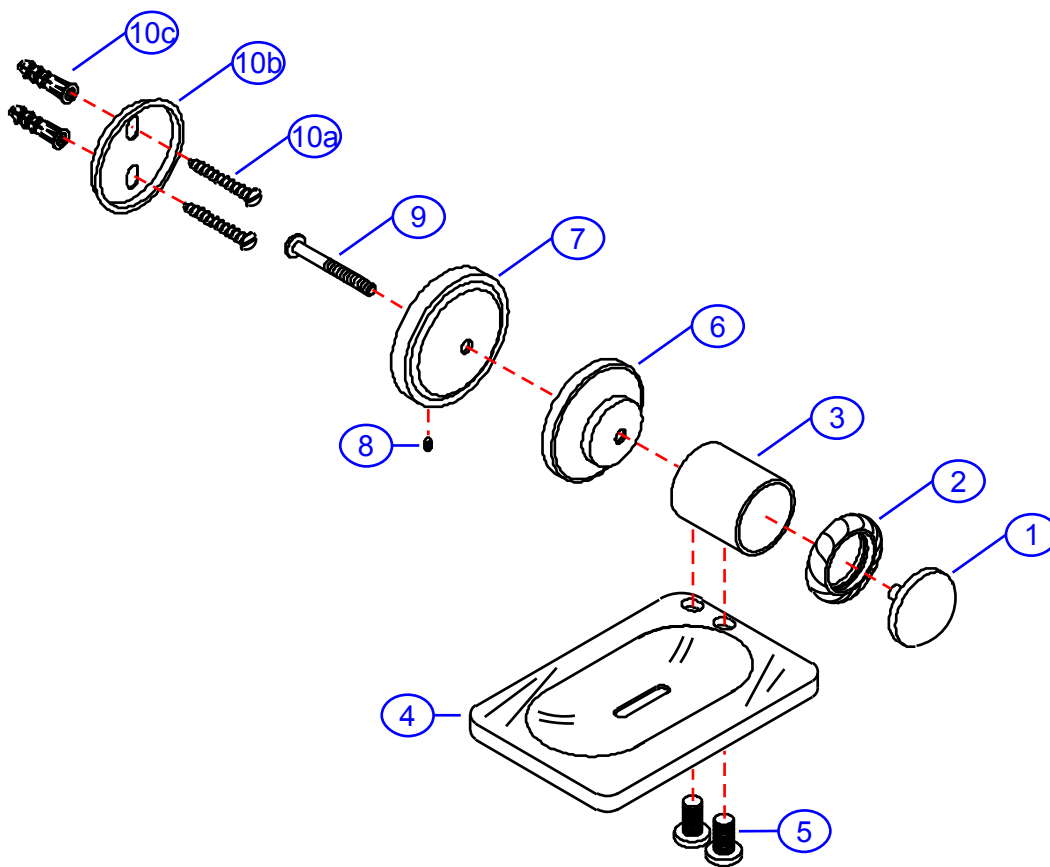


36-R

by Associated Marketing Concepts
 21624 Marilla Street, Chatsworth, CA 91311-4123
 (800) 270-4262 | (818) 678-1651 | FAX (818) 678-1655
 www.ambassador-amc.com



| | | | | | |
|-------------------|---------|---------------|--------------------|---------|-----------|
| By | SS | Main Finish | Chrome | Model # | 36-R |
| Modified/Approved | 12-8-04 | Accent Finish | 18k Gold / Acrylic | Series | Rope Ring |
| Fulfillment | xxxxCG | Valve | NA | Type | Soap Dish |



36-R



Rope Ring Soap Holder- CG

| # | Description | Quantity | Part # | Finish |
|-----|-------------------|----------|-------------|---------------|
| 1 | Cap | 1 | E-243051CP | Chrome |
| 2 | Rope Ring Ring | 1 | E-243011GP | Gold |
| 3 | Body | 1 | E-240331CP* | Chrome |
| 4 | Holder | 1 | E-265041* | Acrylic |
| 5 | Screw | 2 | E-075067ZN | Metal |
| 6 | Base Cover | 1 | E-241031GP* | Gold |
| 7 | Base | 1 | E-241010ZN* | Metal |
| 8 | Set Screw | 1 | E-075038 | Metal |
| 9 | Post Screw | 1 | E-075064ZN* | Metal |
| 10 | Mounting Hardware | 1 | EA-290015 | Metal/Plastic |
| 10a | Mounting Screw | 2 | E-053022ZN* | Metal |
| 10b | Wall Plate | 1 | E-293002ZN* | Metal |
| 10c | Mollies | 2 | E-291001* | Plastic |
| 11 | Allen Key | 1 | E-031000 | Metal |

* Grayed parts are not available individually. "Assembled" item required.