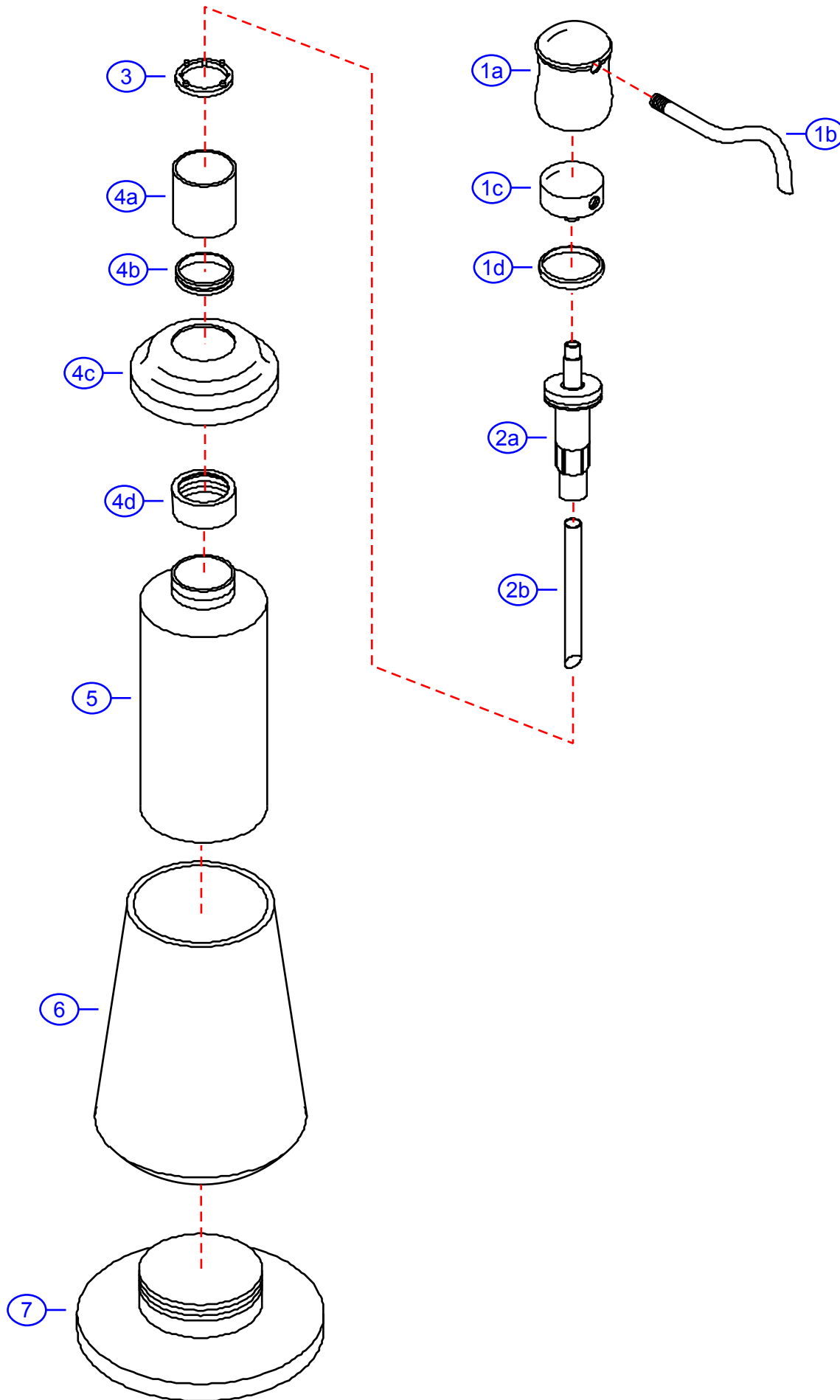


6020-NC

by Associated Marketing Concepts
 21624 Marilla Street, Chatsworth, CA 91311-4123
 (800) 270-4262 | (818) 678-1651 | FAX (818) 678-1655
 www.ambassador-amc.com



By	SS	Main Finish	Brushed Nickel	Model #	6020-NC
Modified/Approved	2-5-04	Accent Finish	Chrome	Series	Universal
Fulfillment	BSDG0000NC	Valve	NA	Type	Soap/Lotion Dispenser



6020-NC



Universal Soap/Lotion Dispenser- NC

#	Description	Quantity	Part #	Finish
1	Head (Assembled)	1	EA-268023NP	Brushed Nickel
1a	Head	1	E-115061NP*	Brushed Nickel
1b	Nozzle	1	E-268004NP*	Brushed Nickel
1c	Pump Receiver	1	E-268005*	Plastic
1d	Head Guide	1	E-268006*	Plastic
2	Pump (Assembled)	1	EA-268013	Plastic
2a	Pump	1	E-268024*	Plastic
2b	Pump Straw	1	E-268048*	Plastic
3	Washer	1	E-268012	Plastic
4	Neck (Assembled)	1	EA-268025CP	Chrome
4a	Neck	1	E-268009CP*	Chrome
4b	Connector	1	E-268010*	Copper
4c	Neck Collar	1	E-268007CP*	Chrome
4d	Bottle Connector	1	E-268008*	Plastic
5	Bottle	1	E-268011	Plastic
6	Body	1	E-268003NP	Brushed Nickel
7	Base	1	E-268002CP	Chrome

* Grayed parts are not available individually. "Assembled" item required.

by Associated Marketing Concepts
21624 Marilla Street, Chatsworth, CA 91311-4123
(800) 270-4262 * (818) 678-1651 * FAX (818) 678-1655
www.ambassador-amc.com