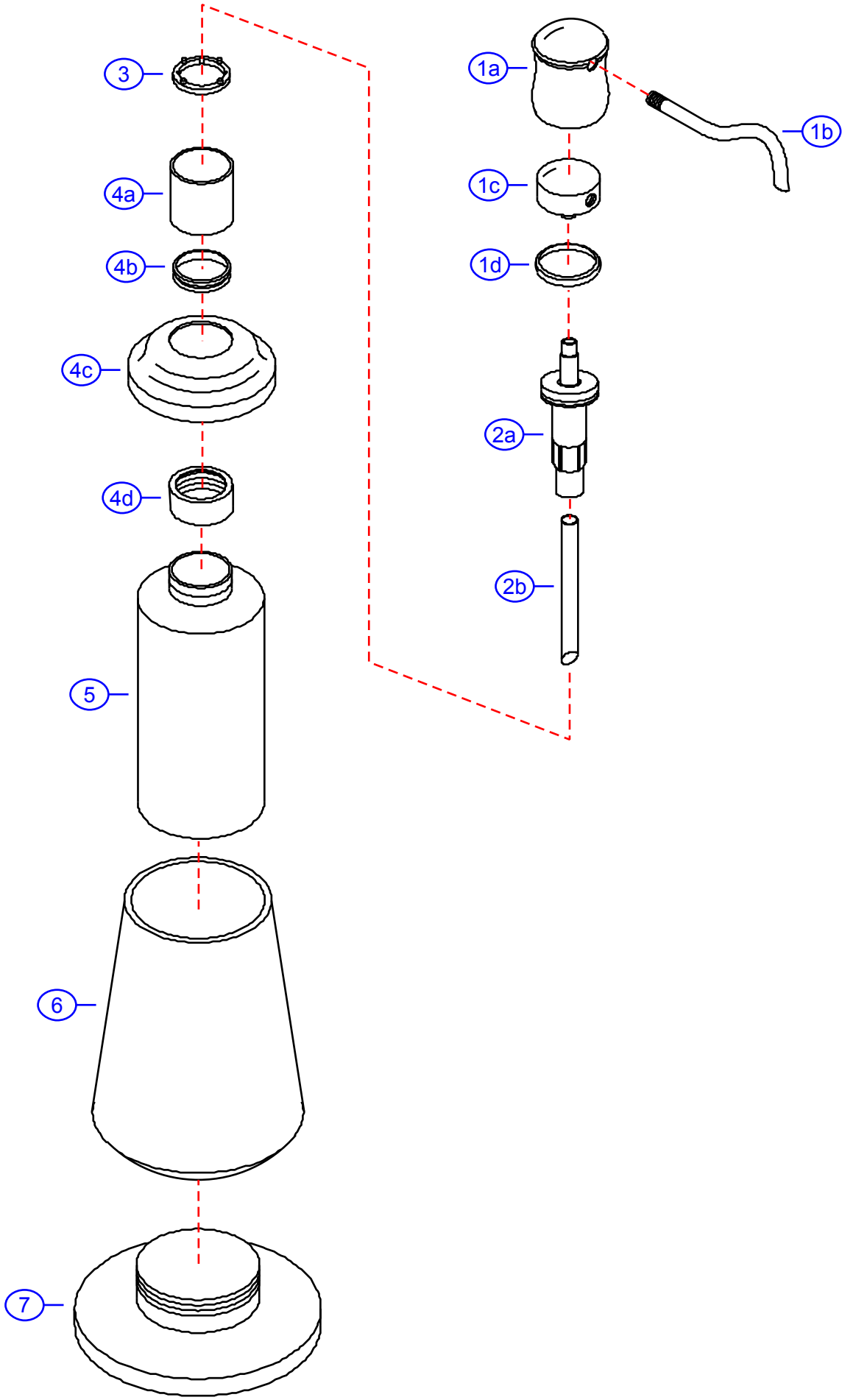


# 6020-ST

by Associated Marketing Concepts  
 21624 Marilla Street, Chatsworth, CA 91311-4123  
 (800) 270-4262 | (818) 678-1651 | FAX (818) 678-1655  
 www.ambassador-amc.com



By	SS	Main Finish	Satin	Model #	<b>6020-ST</b>
Modified/Approved	2-5-04	Accent Finish	None	Series	Universal
Fulfillment	BSDG0000ST	Valve	NA	Type	Soap/Lotion Dispenser



# 6020-ST



## Universal Soap/Lotion Dispenser- ST

#	Description	Quantity	Part #	Finish
1	Head (Assembled)	1	EA-268023ST	Satin
1a	Head	1	E-115061ST*	Satin
1b	Nozzle	1	E-268004ST*	Satin
1c	Pump Receiver	1	E-268005*	Plastic
1d	Head Guide	1	E-268006*	Plastic
2	Pump (Assembled)	1	EA-268013	Plastic
2a	Pump	1	E-268024*	Plastic
2b	Pump Straw	1	E-268048*	Plastic
3	Washer	1	E-268012	Plastic
4	Neck (Assembled)	1	EA-268025ST	Satin
4a	Neck	1	E-268009ST*	Satin
4b	Connector	1	E-268010*	Copper
4c	Neck Collar	1	E-268007ST*	Satin
4d	Bottle Connector	1	E-268008*	Plastic
5	Bottle	1	E-268011	Plastic
6	Body	1	E-268003ST	Satin
7	Base	1	E-268002ST	Satin

\* Grayed parts are not available individually. "Assembled" item required.

by Associated Marketing Concepts  
21624 Marilla Street, Chatsworth, CA 91311-4123  
(800) 270-4262 \* (818) 678-1651 \* FAX (818) 678-1655  
www.ambassador-amc.com