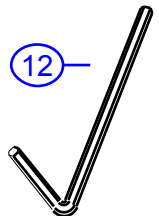
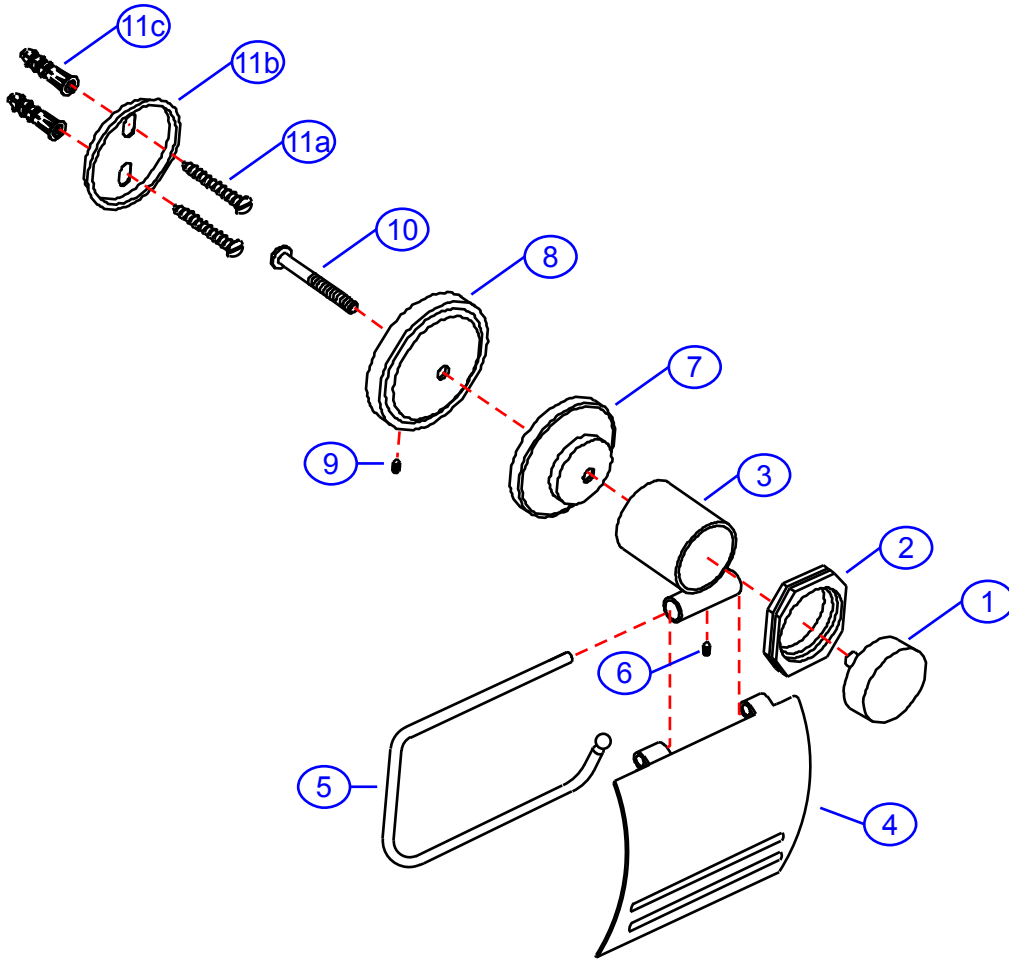


34-H-1

by Associated Marketing Concepts
21624 Marilla Street, Chatsworth, CA 91311-4123
(800) 270-4262 | (818) 678-1651 | FAX (818) 678-1655
www.ambassador-amc.com



By	SS	Main Finish	Chrome	Model #	34-H-1
Modified/Approved	12-06-04	Accent Finish	18k Gold	Series	Hex Ring
Fulfillment	xxxxCG	Valve	NA	Type	Single Post T.P. Holder



34-H-1



Hex Ring Single Post Toilet Paper Holder- CG

#	Description	Quantity	Part #	Finish
1	Cap	1	E-243091CP*	Chrome
2	Hex Ring Ring	1	E-243807GP*	Gold
3	Body	1	E-245108CP*	Chrome
4	Paper Cover	1	E-256121CP*	Chrome
5	Paper Holder	1	E-251551CP*	Chrome
6	Set Screw	1	E-292155ZN	Metal
7	Base Cover	1	E-241031GP*	Gold
8	Base	1	E-241010ZN*	Metal
9	Set Screw	1	E-075038	Metal
10	Post Screw	1	E-075064ZN	Metal
11	Mounting Hardware	1	EA-290015	Metal/Plastic
11a	Mounting Screws	2	E-053022ZN*	Metal
11b	Wall Plate	1	E-293002ZN*	Metal
11c	Mollies	2	E-291001*	Plastic
12	Allen Key	1	E-031000	Metal

* Grayed parts are not available individually. "Assembled" item required.