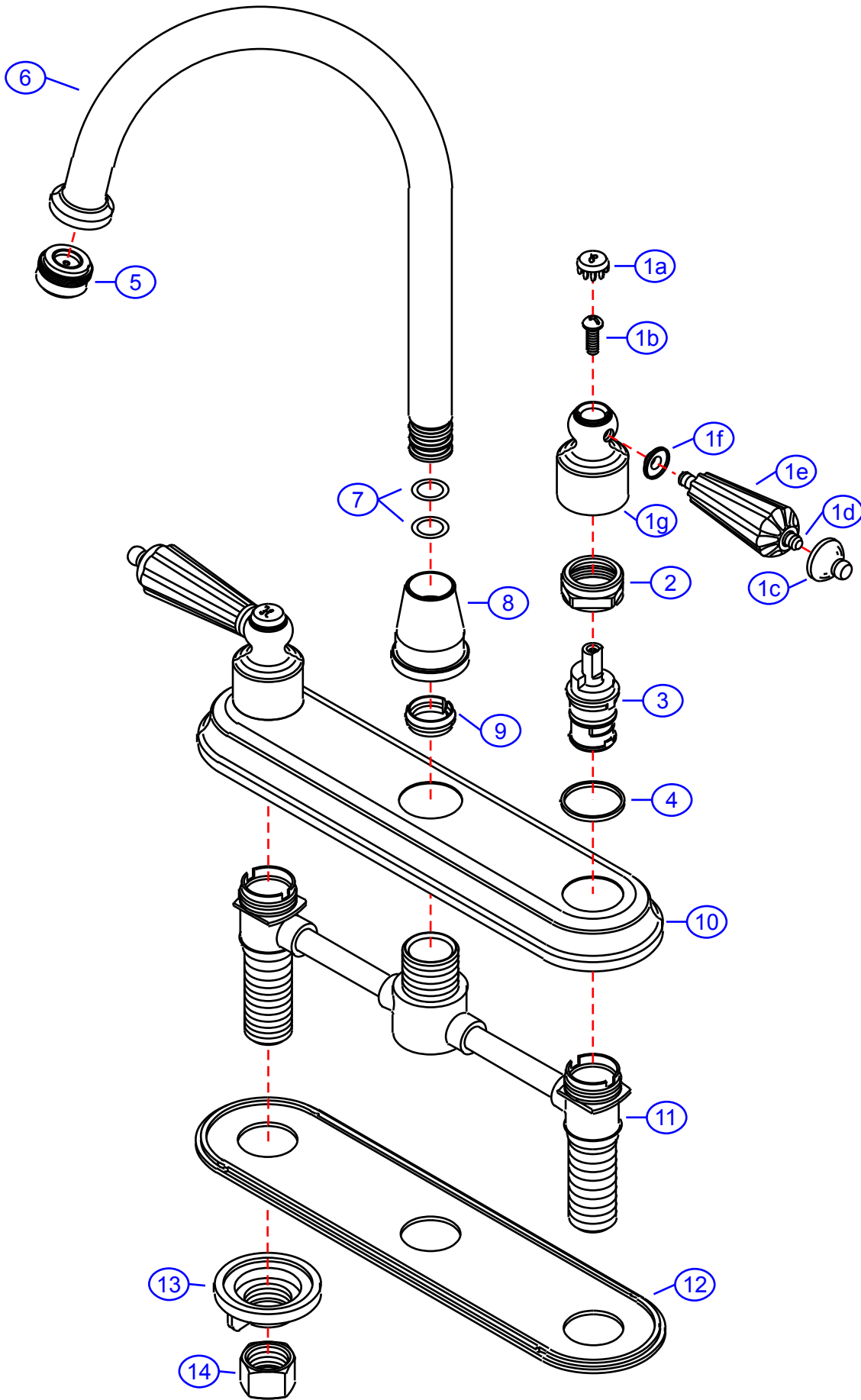


9040-L



by Associated Marketing Concepts
 21624 Marilla Street, Chatsworth, CA 91311-4123
 (800) 270-4262 | (818) 678-1651 | FAX (818) 678-1655
 www.ambassador-amc.com



By	SS	Main Finish	Chrome	Model #	9040-L
Modified/Approved	1-28-04	Accent Finish	White Porcelain	Series	Lotus
Fulfillment	xxxCP	Valve	Ceramic Disk	Type	2 Handle Kitchen

9040-L



Lotus Handle 2 Handle Kitchen- CD/CP

#	Description	Quantity	Part #	Finish
1	Lotus Handle (Hot)	1	EA-662778HCP	Chrome/Porcelain
	Lotus Handle (Cold)	1	EA-662778CCP	Chrome/Porcelain
1a	Cap "H"	1	E-206041HCP	Chrome
	Cap "C"	1	E-206041CCP	Chrome
1b	Screw	2	E-008044CP	Chrome
1c	Handle Tip	2	E-109003CP	Chrome
1d	Handle Rod	2	E-017045	Brass
1e	Handle (Lotus)	2	E-10827WP	Porcelain
1f	Spacer	2	E-107034CP	Chrome
1g	Canopy (Hot)	1	E-018019HCP	Chrome
	Canopy (Cold)	1	E-018019CCP	Chrome
2	Retainer Nut	2	E-016002CP	Chrome
3	Cartridge (Hot)	1	E-507003NH	Ceramic Disc
	Cartridge (Cold)	1	E-507003NC	Ceramic Disc
4	Packing Ring	2	E-200013	Plastic
5	Aerator	1	E-500013NCP	Chrome
6	Spout	1	E-100008NCP	Chrome
7	O-Ring	2	E-004005N	Rubber
8	Bonnet	1	E-000001CP	Chrome
9	Packing Ring	1	E-012003	Plastic
10	Cover Plate	1	E-007003CP	Chrome
11	Valve	1	E-055020N	Brass
12	Gasket	1	E-011003	Plastic
13	Thumb Nut	2	E-009007	Plastic
14	Connector Nuts	2	E-009016	Brass

* Grayed parts are not available individually. "Assembled" item required.

by Associated Marketing Concepts
21624 Marilla Street, Chatsworth, CA 91311-4123
(800) 270-4262 * (818) 678-1651 * FAX (818) 678-1655
www.ambassador-amc.com