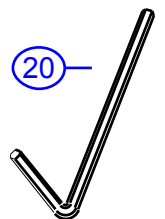
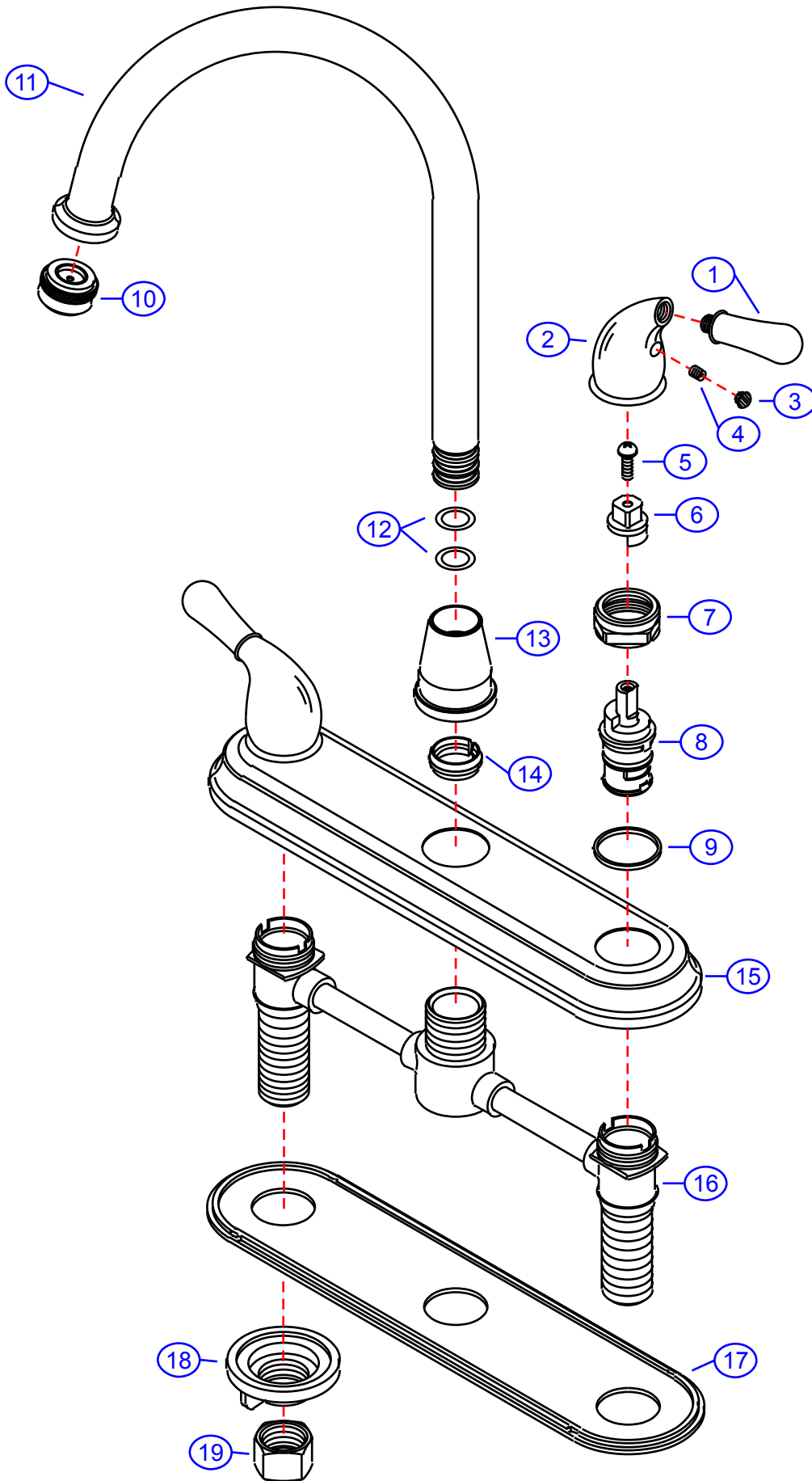


# 9040-Q

by Associated Marketing Concepts  
 21624 Marilla Street, Chatsworth, CA 91311-4123  
 (800) 270-4262 | (818) 678-1651 | FAX (818) 678-1655  
 www.ambassador-amc.com



By	SS	Main Finish	Chrome	Model #	<b>9040-Q</b>
Modified/Approved	1-28-04	Accent Finish	None	Series	Cleopatra
Fulfillment	xxxCP	Valve	Ceramic Disk	Type	2 Handle Kitchen



# 9040-Q



## Cleopatra 2 Handle Kitchen- CD/CP

#	Description	Quantity	Part #	Finish
1	Handle Tip	2	E-108041CP	Chrome
2	Handle Canopy	2	E-018052CP	Chrome
3	Red Plug	1	E-028046H	Rubber
	Blue Plug	1	E-028046C	Rubber
4	Set Screw	2	E-008003	Metal
5	Screw	2	E-008044CP	Chrome
6	Adapter (Hot)	1	E-110114H	Plastic
	Adapter (Cold)	1	E-110114C	Plastic
7	Retainer Nut	2	E-016002CP	Chrome
8	Cartridge (Hot)	1	E-507003NH	Ceramic Disc
	Cartridge (Cold)	1	E-507003NC	Ceramic Disc
9	Packing Ring	2	E-200013	Plastic
10	Aerator	1	E-500013NCP	Chrome
11	Spout	1	E-100008NCP	Chrome
12	O-Ring	2	E-004005N	Rubber
13	Bonnet	1	E-000001CP	Chrome
14	Packing Ring	1	E-012003	Plastic
15	Cover Plate	1	E-007003CP	Chrome
16	Valve	1	E-055020N	Brass
17	Gasket	1	E-011003	Plastic
18	Thumb Nut	2	E-009007	Plastic
19	Connector Nuts	2	E-009016	Brass
20	Allen Key	1	E-031000	Metal

\* Grayed parts are not available individually. "Assembled" item required.

by Associated Marketing Concepts  
21624 Marilla Street, Chatsworth, CA 91311-4123  
(800) 270-4262 \* (818) 678-1651 \* FAX (818) 678-1655  
www.ambassador-amc.com

8/24/2006