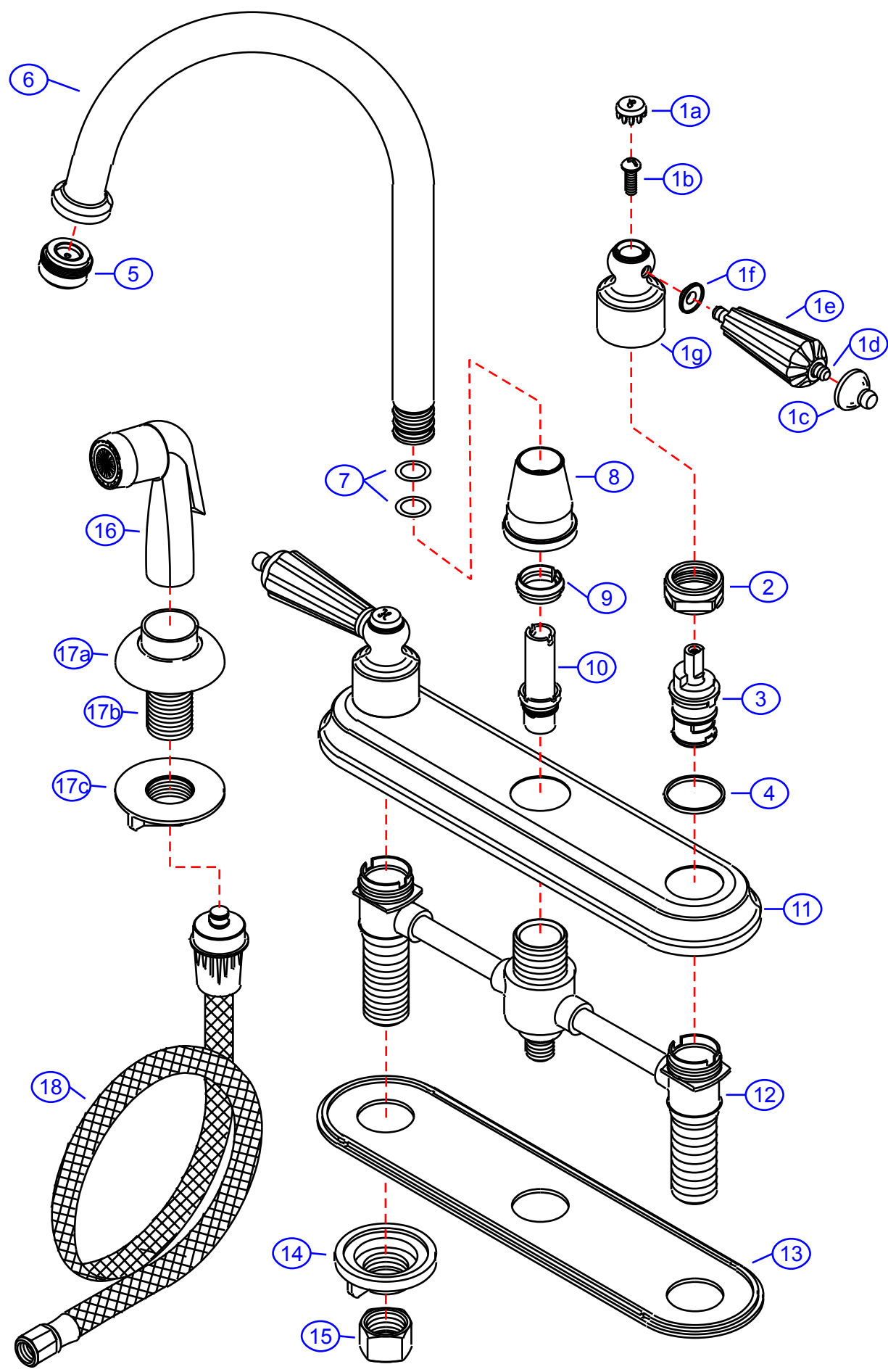


9041-L

by Associated Marketing Concepts
 21624 Marilla Street, Chatsworth, CA 91311-4123
 (800) 270-4262 | (818) 678-1651 | FAX (818) 678-1655
 www.ambassador-amc.com



| | | | | |
|-------------------|----------|-----------------|---------|--------------------------|
| By | SS | Chrome | Model # | 9041-L |
| Modified/Approved | 1-27-04 | White Porcelain | Series | Lotus |
| Fulfillment | L6H306CP | Ceramic Disk | Type | 2 Handle Kitchen w/Spray |



9041-L



Lotus 2 Handle Kitchen with Sprayer- CD/CP

| # | Description | Quantity | Part # | Finish |
|---|-----------------------|----------|--------------|--------------|
| 1 | Lotus Handle (Hot) | 1 | EA-662778HCP | Chrome |
| | Lotus Handle (Cold) | 1 | EA-662778CCP | Chrome |
| 1a | Cap "H" | 1 | E-206041HCP | Chrome |
| | Cap "C" | 1 | E-206041CCP | Chrome |
| 1b | Screw | 2 | E-008044CP | Metal |
| 1c | Handle Tip | 2 | E-109003CP | Chrome |
| 1d | Handle Rod | 2 | E-017045 | Brass |
| 1e | Handle (Lotus) | 2 | E-108028WH | Porcelain |
| 1f | Spacer | 2 | E-107034CP | Chrome |
| 1g | Canopy (Hot) | 1 | E-018019HCP | Chrome |
| | Canopy (Cold) | 1 | E-018019CCP | Chrome |
| 2 | Retainer Nut | 2 | E-016002CP | Chrome |
| 3 | Cartridge (Hot) | 1 | E-507003NH | Ceramic Disc |
| | Cartridge (Cold) | 1 | E-507003NC | Ceramic Disc |
| 4 | Packing Ring | 2 | E-200013 | Plastic |
| 5 | Aerator | 1 | E-500013NCP | Chrome |
| 6 | Spout | 1 | E-100008NCP | Chrome |
| 7 | O-Ring | 2 | E-004005N | Rubber |
| 8 | Bonnet | 1 | E-000001CP | Chrome |
| 9 | Packing Ring | 1 | E-012003 | Plastic |
| 10 | Diverter | 1 | E-501013N | Plastic |
| 11 | Cover Plate | 1 | E-007003CP | Chrome |
| 12 | Valve | 1 | E-055022N | Brass |
| 13 | Gasket | 1 | E-011003 | Plastic |
| 14 | Thumb Nut | 2 | E-009007 | Plastic |
| 15 | Connector Nuts | 2 | E-009016 | Brass |
| 19 | Sprayer (White) | 1 | E-503000NWC | Plastic |
| 17 | Hose Nest (Assembled) | 1 | EA-504005CW | Plastic |
| 17a | Hose Nest Collar | 1 | E-220001CP* | Chrome |
| 17b | Hose Nest | 1 | E-017005WH* | Plastic |
| 17c | Thumb Nut | 1 | E-009008WH* | Plastic |
| 18 | Hose | 1 | E-511000NWH | Hose |
| * Grayed parts are not available individually. "Assembled" item required. | | | | |

by Associated Marketing Concepts
 21624 Marilla Street, Chatsworth, CA 91311-4123
 (800) 270-4262 * (818) 678-1651 * FAX (818) 678-1655
 www.ambassador-amc.com