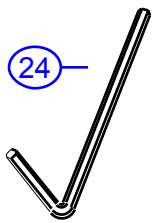
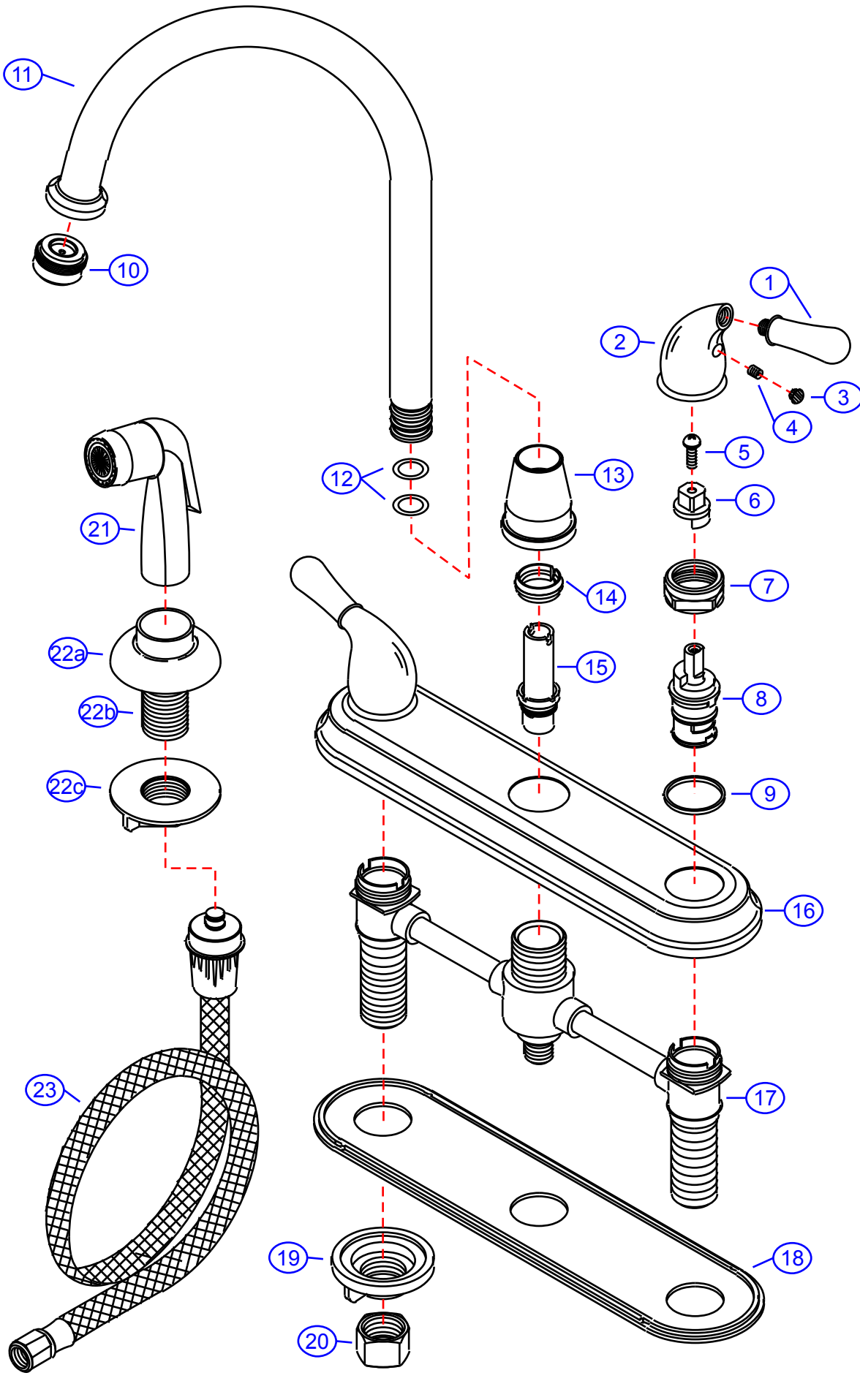


9041-P

by Associated Marketing Concepts
 21624 Marilla Street, Chatsworth, CA 91311-4123
 (800) 270-4262 | (818) 678-1651 | FAX (818) 678-1655
 www.ambassador-amc.com



By	SS	Main Finish	Chrome	Model #	9041-P
Modified/Approved	1-27-04	Accent Finish	18k Gold	Series	Cleopatra
Fulfillment	L6H146CG	Valve	Ceramic Disk	Type	2 Handle Kitchen w/Spray



9041-P



Cleopatra 2 Handle Kitchen- CD/CG

#	Description	Quantity	Part #	Finish
1	Handle Tip	2	E-108041GP	Gold
2	Handle Canopy	2	E-018052CP	Chrome
3	Red Plug	1	E-028046H	Rubber
	Blue Plug	1	E-028046C	Rubber
4	Set Screw	2	E-008003	Metal
5	Screw	2	E-008044CP	Chrome
6	Adapter (Hot)	1	E-110114H	Plastic
	Adapter (Cold)	1	E-110114C	Plastic
7	Retainer Nut	2	E-016002CP	Chrome
8	Cartridge (Hot)	1	E-507003NH	Ceramic Disc
	Cartridge (Cold)	1	E-507003NC	Ceramic Disc
9	Packing Ring	2	E-200013	Plastic
10	Aerator	1	E-500013NGP	Gold
11	Spout	1	E-100008NCP	Chrome
12	O-Ring	2	E-004005N	Rubber
13	Bonnet	1	E-000001GP	Gold
14	Packing Ring	1	E-012003	Plastic
15	Diverter	1	E-501013N	Plastic
16	Cover Plate	1	E-007003CP	Chrome
17	Valve	1	E-055022N	Brass
18	Gasket	1	E-011003	Plastic
19	Thumb Nut	2	E-009007	Plastic
20	Connector Nuts	2	E-009016	Brass
21	Sprayer (White)	1	E-503000NWC	Plastic
22	Hose Nest (Assembled)	1	EA-504005CW	Plastic
22a	Hose Nest Collar	1	E-220001CP*	Chrome
22b	Hose Nest	1	E-017005WH*	Plastic
22c	Thumb Nut	1	E-009008WH*	Plastic
23	Hose	1	E-511000NWH	Hose
24	Allen Key	1	E-031000	Metal

* Grayed parts are not available individually. "Assembled" item required.

by Associated Marketing Concepts
 21624 Marilla Street, Chatsworth, CA 91311-4123
 (800) 270-4262 * (818) 678-1651 * FAX (818) 678-1655
www.ambassador-amc.com