

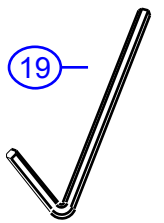
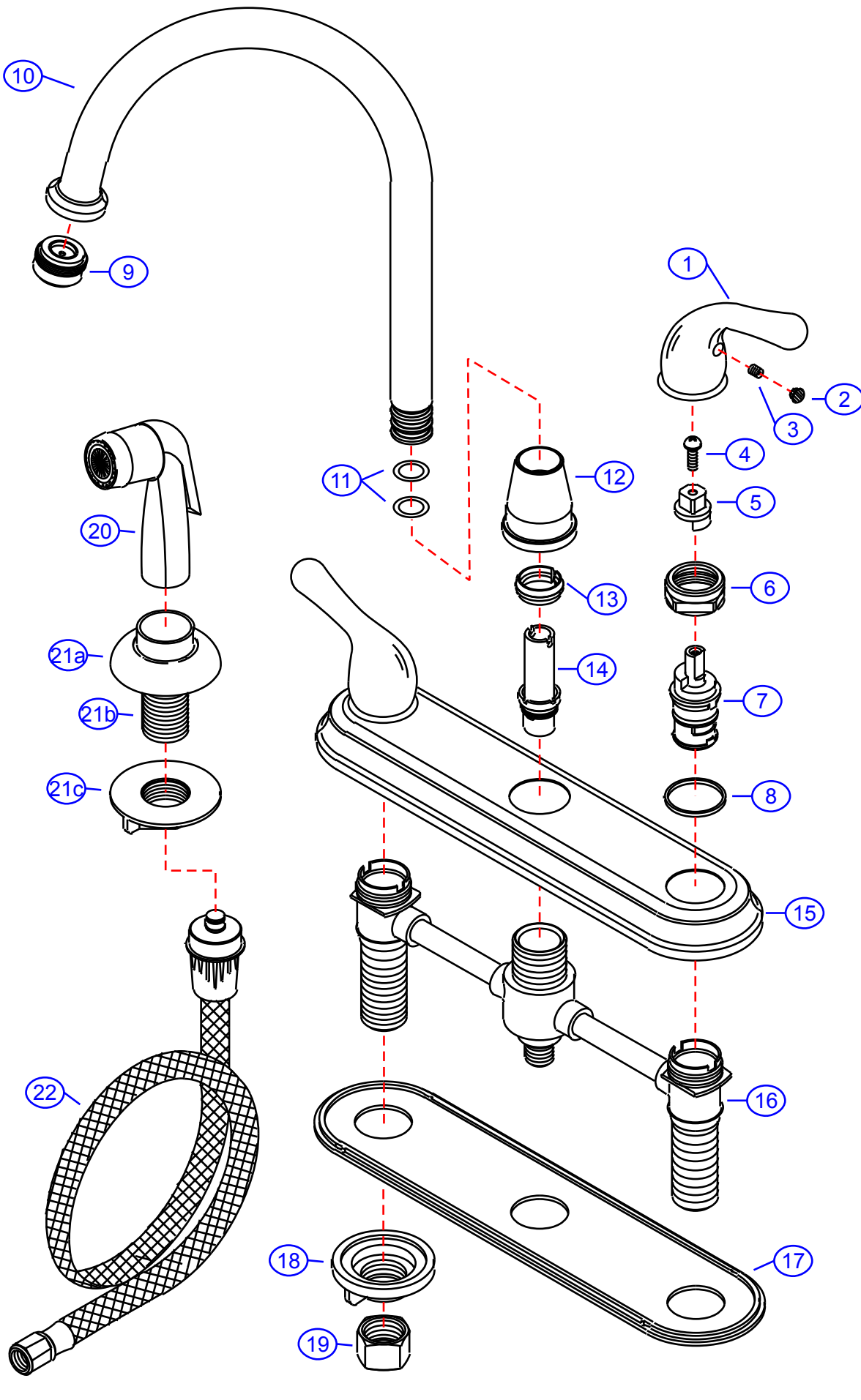
9041-Q

(1-part)

by Associated Marketing Concepts
 21624 Marilla Street, Chatsworth, CA 91311-4123
 (800) 270-4262 | (818) 678-1651 | FAX (818) 678-1655
 www.ambassador-amc.com



Model #	9041-Q (1-part)		
Series	Cleopatra		
Type	2 Handle Kitchen w/Spray		
Main Finish	Chrome		
Accent Finish	None		
Valve	Ceramic Disk		
By	SS		
Modified/Approved	1-27-04		
Fulfillment	xxxCP		



9041-Q (1part)



Crystal 2 Handle Kitchen with Sprayer- CD/CP

#	Description	Quantity	Part #	Finish
1	Handle	2	E-029032CP	Chrome
2	Red Plug	1	E-028046H	Rubber
	Blue Plug	1	E-028046C	Rubber
3	Set Screw	2	E-008003	Metal
4	Screw	2	E-008044CP	Chrome
5	Adapter (Hot)	1	E-110114H	Plastic
	Adapter (Cold)	1	E-110114C	Plastic
6	Retainer Nut	2	E-016002CP	Chrome
7	Cartridge (Hot)	1	E-507003NH	Ceramic Disc
	Cartridge (Cold)	1	E-507003NC	Ceramic Disc
8	Packing Ring	2	E-200013	Plastic
9	Aerator	1	E-500013NCP	Chrome
10	Spout	1	E-100008NCP	Chrome
11	O-Ring	2	E-004005N	Rubber
12	Bonnet	1	E-000001CP	Chrome
13	Packing Ring	1	E-012003	Plastic
14	Diverter	1	E-501013N	Plastic
15	Cover Plate	1	E-007003CP	Chrome
16	Valve	1	E-055022N	Brass
17	Gasket	1	E-011003	Plastic
18	Thumb Nut	2	E-009007	Plastic
19	Connector Nuts	2	E-009016	Brass
20	Sprayer (White)	1	E-503000NWC	Plastic
21	Hose Nest (Assembled)	1	EA-504005CW	Plastic
21a	Hose Nest Collar	1	E-220001CP*	Chrome
21b	Hose Nest	1	E-017005WH*	Plastic
21c	Thumb Nut	1	E-009008WH*	Plastic
22	Hose	1	E-511000NWH	Hose
23	Allen Key	1	E-031000	Metal

* Grayed parts are not available individually. "Assembled" item required.

by Associated Marketing Concepts
21624 Marilla Street, Chatsworth, CA 91311-4123
(800) 270-4262 * (818) 678-1651 * FAX (818) 678-1655
www.ambassador-amc.com