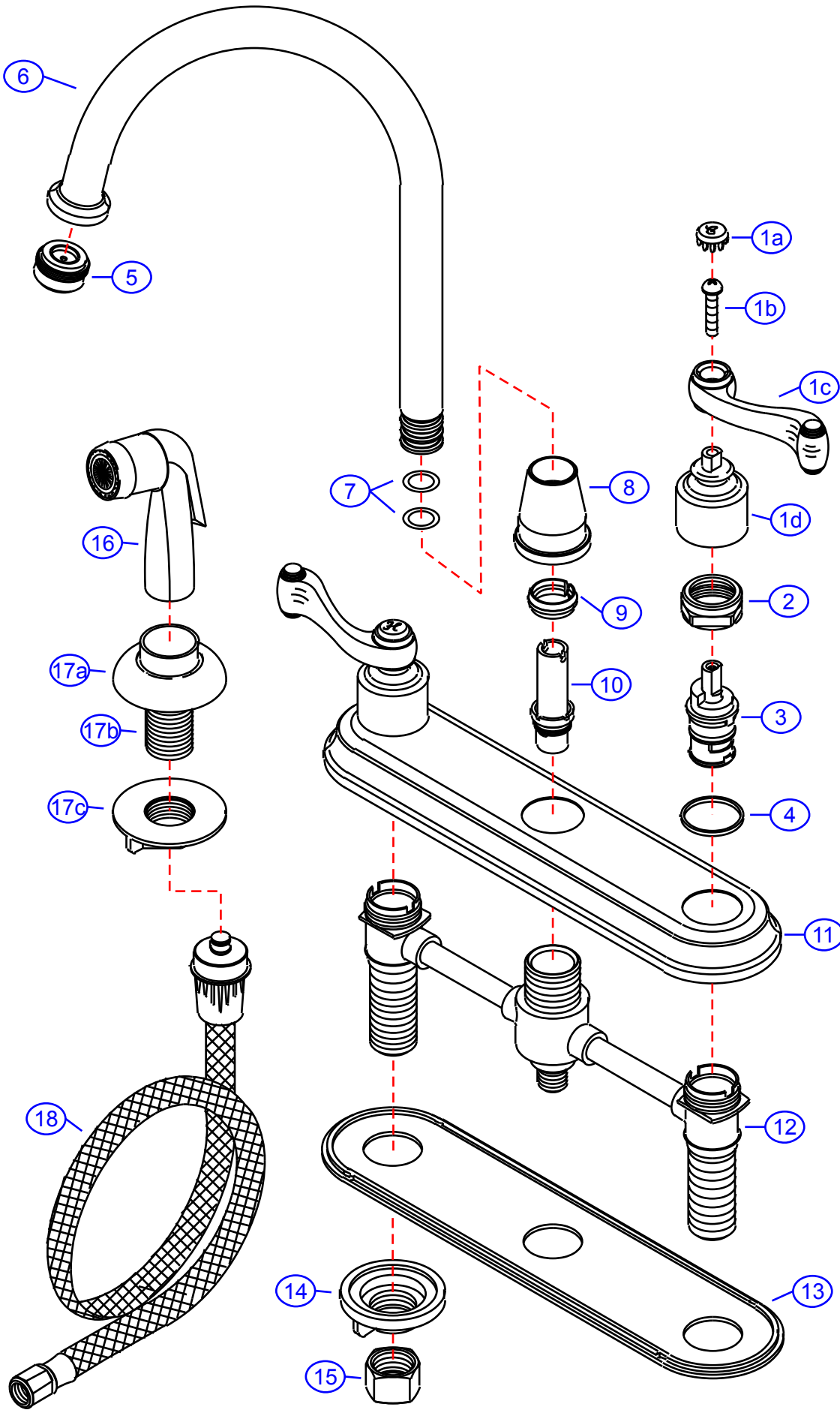


9041-S

by Associated Marketing Concepts
 21624 Marilla Street, Chatsworth, CA 91311-4123
 (800) 270-4262 | (818) 678-1651 | FAX (818) 678-1655
 www.ambassador-amc.com



By	SS	Main Finish	Chrome	Model #	9041-S
Modified/Approved	1-27-04	Accent Finish	None	Series	"S" Handle
Fulfillment	F82B8600CP	Valve	Ceramic Disk	Type	2 Handle Kitchen w/Spray



9041-S



"S" Handle 2 Handle Kitchen with Sprayer- CD/CP

#	Description	Quantity	Part #	Finish
1	"S" Handle (Hot)	1	EA-662780HCP	Chrome
	"S" Handle (Cold)	1	EA-662780CCP	Chrome
1a	Cap "H"	1	E-206041HCP	Chrome
	Cap "C"	1	E-206041CCP	Chrome
1b	Screw	2	E-008044CP	Metal
1c	"S" Handle (Hot)	1	E-108036HCP	Chrome
	"S" Handle (Cold)	1	E-108036CCP	Chrome
1d	Canopy (Hot)	1	E-018154HCP	Chrome
	Canopy (Cold)	1	E-018154CCP	Chrome
2	Retainer Nut	2	E-016002CP	Chrome
3	Cartridge (Hot)	1	E-507003NH	Ceramic Disc
	Cartridge (Cold)	1	E-507003NC	Ceramic Disc
4	Packing Ring	2	E-200013	Plastic
5	Aerator	1	E-500013NCP	Chrome
6	Spout	1	E-100008NCP	Chrome
7	O-Ring	2	E-004005N	Rubber
8	Bonnet	1	E-000001CP	Chrome
9	Packing Ring	1	E-012003	Plastic
10	Diverter	1	E-501013N	Plastic
11	Cover Plate	1	E-007003CP	Chrome
12	Valve	1	E-055022N	Brass
13	Gasket	1	E-011003	Plastic
14	Thumb Nut	2	E-009007	Plastic
15	Connector Nuts	2	E-009016	Brass
16	Sprayer (White)	1	E-503000NWC	Plastic
17	Hose Nest (Assembled)	1	EA-504005CW	Plastic
17a	Hose Nest Collar	1	E-220001CP*	Chrome
17b	Hose Nest	1	E-017005WH*	Plastic
17c	Thumb Nut	1	E-009008WH*	Plastic
18	Hose	1	E-511000NWH	Hose
* Grayed parts are not available individually. "Assembled" item required.				

by Associated Marketing Concepts
 21624 Marilla Street, Chatsworth, CA 91311-4123
 (800) 270-4262 * (818) 678-1651 * FAX (818) 678-1655
 www.ambassador-amc.com