

317-1010

version 3

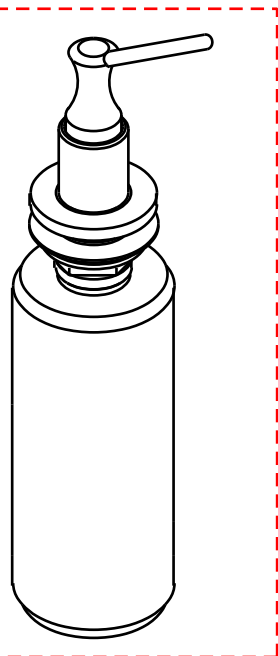
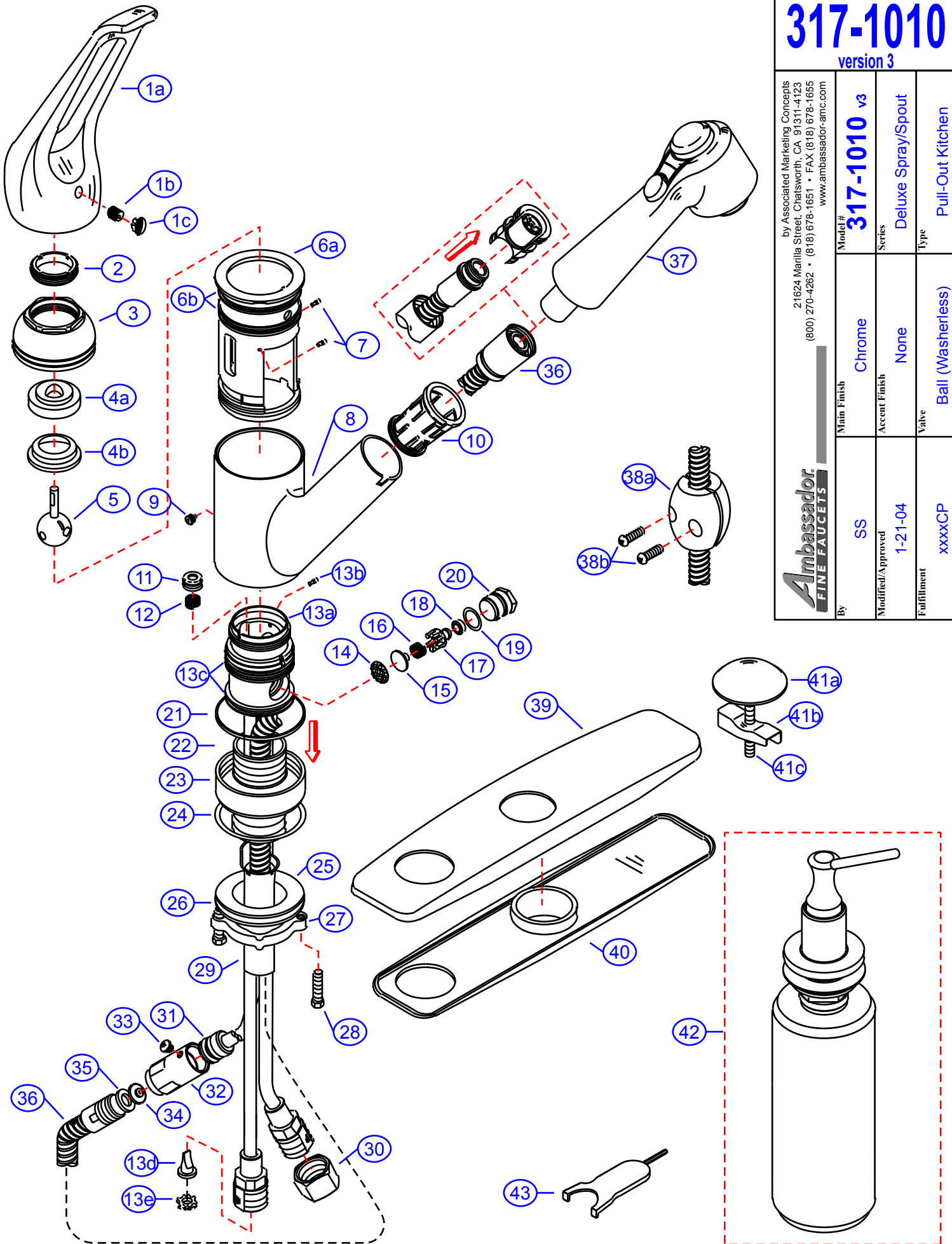
by Associated Marketing Concepts
21624 Marilla Street, Chatsworth, CA 91311-4123
(800) 270-4262 • (818) 678-1651 • FAX (818) 678-1655
www.ambassador-amc.com

Ambassador
FINE FAUCETS

Model # **317-1010 v3**
Series **Deluxe Spray/Spout**
Type **Pull-Out Kitchen**

Main Finish **Chrome**
Accent Finish **None**
Valve **Ball (Washerless)**

By **SS**
Modified/Approved **1-21-04**
Fulfillment **xxxxCP**



317-1010 v3



Deluxe Spray/Spout Kitchen Faucet- CP

#	Description	Quantity	Part #	Finish
1	Handle (Assembled)	1	EA-662511CP	Chrome
1a	Handle	1	E-029012CP*	Chrome
1b	Set Screw	1	E-008102	Metal
1c	Blue/Red Plug	1	E-028020	Plastic
2	Adjusting Ring	1	E-104001	Brass
3	Cap	1	E-103008CP	Chrome
4	Cam Packing	1	EA-663000N	Plastic/Rubber
4a	Cam	1	E-201000*	Plastic
4b	Packing	1	E-102000N*	Rubber
5	Ball Assembly	1	E-040004	Metal
6	White Body Housing	1	EA-663458WH-2	Plastic/Rubber
6a	Body Housing	1	E-301012WH-2*	Plastic
6b	O-Ring	2	E-004045	Rubber
7	Pin	2	E-003000	Metal
8	Spout Hub	1	E-300201CP	Chrome
9	Hub Set Screw	1	E-008026	Metal
10	Hose Nest	1	E-126000	Plastic
11	Seat	2	E-101000N	Rubber
12	Spring	2	E-005000	Metal
13	Valve (Assembled)	1	G-XXXX*	Brass/Copper
13a	Valve Body	1	E-002009N*	Brass
13b	Pin	1	E-003000*	Metal
13c	O-Ring	2	E-004057	Rubber
13d	Inlet Anti-Siphon Valve	2	E-010033N*	Rubber
13e	Inlet Anti-Siphon Valve Lock	2	E-013005*	Metal
14	IVB Component	1	E-022005*	Metal
15	IVB Component	1	E-034013N*	Plastic
16	IVB Component	1	E-005012*	Metal
17	IVB Component	1	E-208011N*	Plastic
18	IVB Component	1	E-010008N*	Rubber
19	IVB Component	1	E-004079N*	Rubber
20	IVB Component	1	E-033007NCP*	Chrome
21	White Packing Ring	1	E-207001WH	Plastic
22	Mounting Shaft	1	G-XXXX*	Brass
23	Base	1	E-034001CP*	Chrome
24	O-Ring	1	E-004069	Rubber
25	Rubber Washer	1	E-010021	Rubber
26	Metal Washer	1	E-013010NI	Metal
27	Lock Nut	1	E-009046	Brass
28	Lock Nut Screws	2	E-008045	Metal
29	Hose Guide	1	E-227001	Plastic
30	Connector Nuts	2	E-009016	Brass
31	O-Ring	1	E-004002N	Rubber
32	Pipe Adapter	1	E-021004N	Brass
33	Pipe Adapter Screw	1	E-008048	Metal
34	Water Restrictor	1	E-113122N	Plastic
35	Pipe Adapter Washer	1	E-010035N	Rubber
36	Flex Hose	1	E-511002NCP	Stainless Steel
37	Spout Head	1	E-523028CP	Chrome
38	Weight w/Screws	1	EA-504079	Metal
38a	Weight	1	G-XXXX*	Lead
38b	Screws	2	G-XXXX*	Metal
39	Cover Plate	1	E-007145CP	Chrome
40	Gasket	1	E-011037	Plastic
41	Hole Cover (Assembled)	1	EA-504091CP	Chrome
41a	Cover	1	G-XXXX*	Chrome
41b	Wing Nut	1	G-XXXX*	Metal
41c	Bolt	1	G-XXXX*	Metal
42	Soap Disp. (see "Soap Disp." for parts)	1	6150-J	Chrome
43	Allen Key	1	E-031022NI	Metal

* Grayed parts are not available individually. "Assembled" item required.