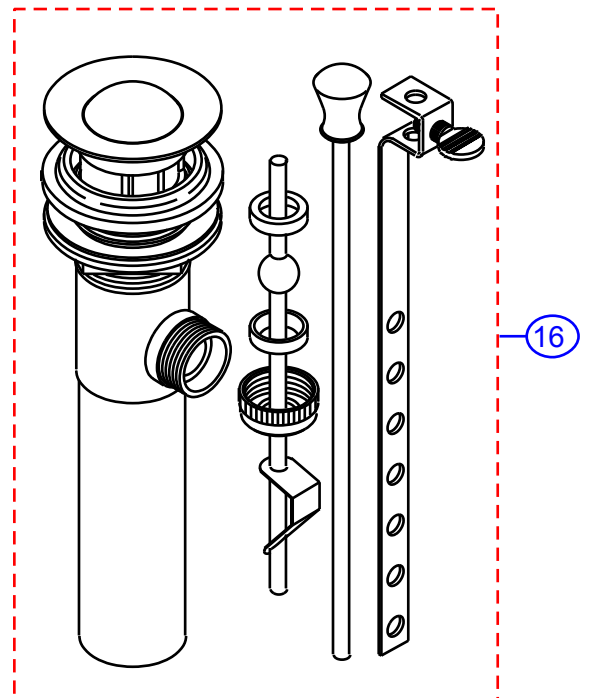
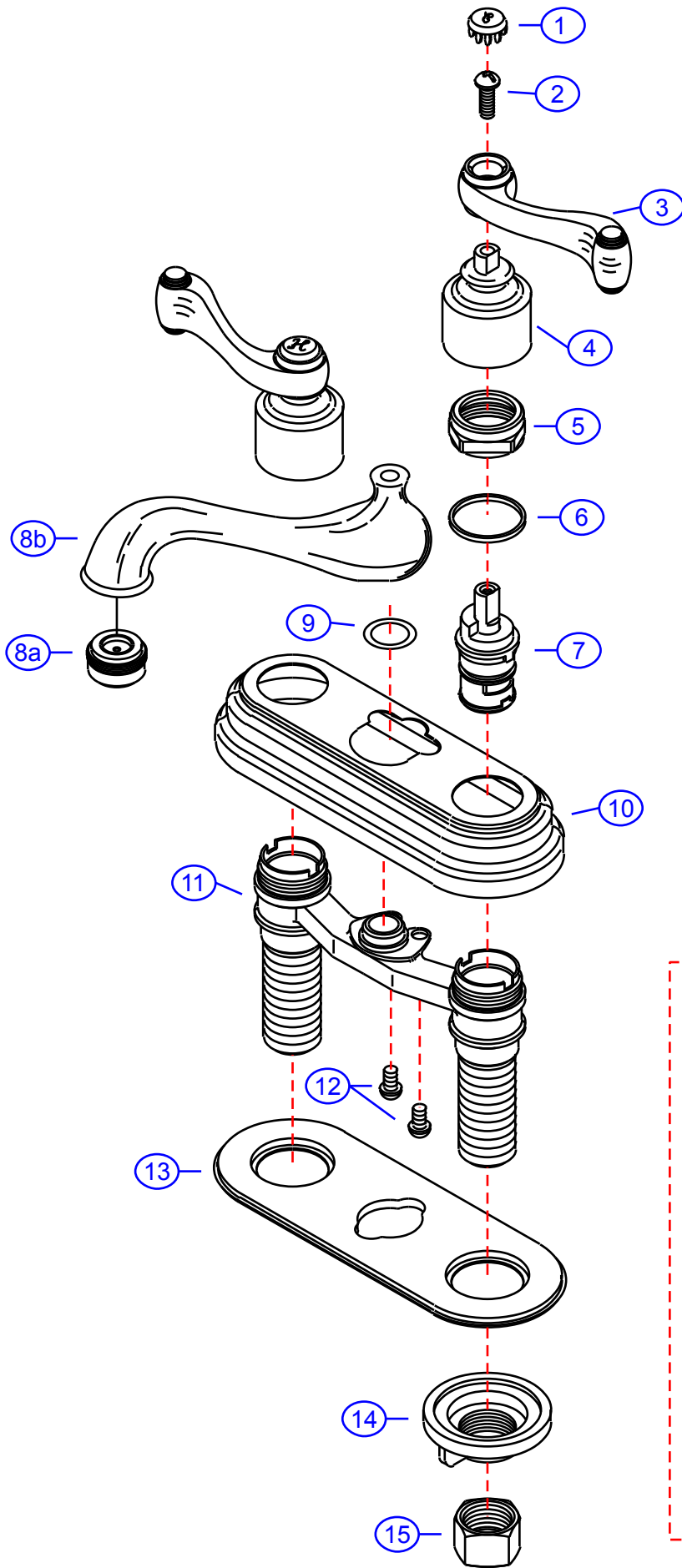


# 102-S

by Associated Marketing Concepts  
 21624 Marilla Street, Chatsworth, CA 91311-4123  
 (800) 270-4262 | (818) 678-1651 | FAX (818) 678-1655  
 www.ambassador-amc.com

**Ambassador**  
 FINE FAUCETS

By	SS	Main Finish	18k Gold	Model #	102-S
Modified/Approved	8-3-04	Accent Finish	None	Series	"S" Handle
Fulfillment	xxxGP	Valve	Ceramic Disk	Type	4" Center Set Lav.



# 102-S



## "S" Handle 4" Center Set Lav- CD/GP

#	Description	Quantity	Part #	Finish
1	Cap "H"	1	E-206041HGP	Gold
	Cap "C"	1	E-206041CGP	Gold
2	Screw	2	E-008044CP	Chrome
3	"S" Handle (Hot)	1	E-108036HGP	Gold
	"S" Handle (Cold)	1	E-108036CGP	Gold
4	Canopy (Hot)	1	E-018154HGP	Gold
	Canopy (Cold)	1	E-018154CGP	Gold
5	Retainer Nut	2	E-016002	Brass
6	Packing Ring	2	E-200013	Plastic
7	Cartridge (Hot)	1	E-507003NH	Ceramic Disc
	Cartridge (Cold)	1	E-507003NC	Ceramic Disc
8	Spout (Assembled)	1	EA-666605NGP	Gold
8a	Aerator	1	E-500013NGP	Gold
8b	Spout	1	E-100018NGP*	Gold
9	O-Ring	1	E-048047N	Rubber
10	Cover Plate	1	E-007053GP	Gold
11	Valve Body	1	E-002028N	Brass
12	Screw	2	E-008017CP	Chrome
13	Gasket	1	E-011012	Plastic
14	Thumb Screw	2	E-009007	Plastic
15	Connector Nuts	2	E-009016	Brass
16	Drain Kit (see "Drains" for parts)	1	EA-505039GP	Gold

\* Grayed parts are not available individually. "Assembled" item required.

by Associated Marketing Concepts  
 21624 Marilla Street, Chatsworth, CA 91311-4123  
 (800) 270-4262 \* (818) 678-1651 \* FAX (818) 678-1655  
[www.ambassador-amc.com](http://www.ambassador-amc.com)