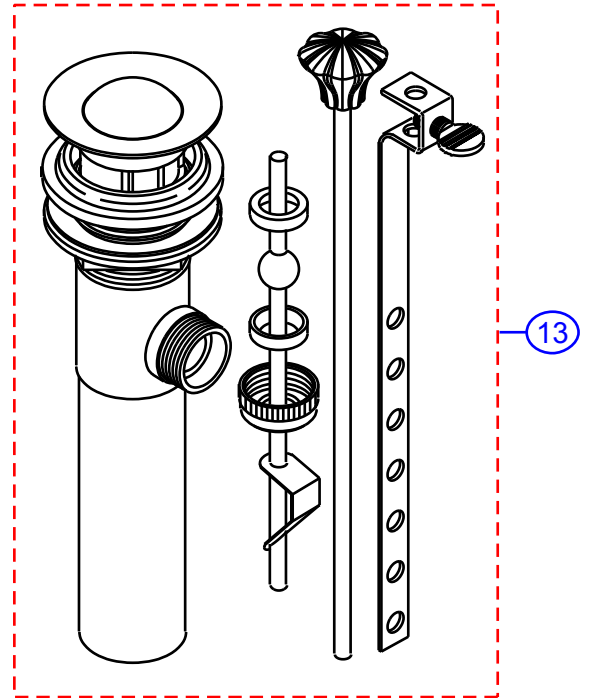
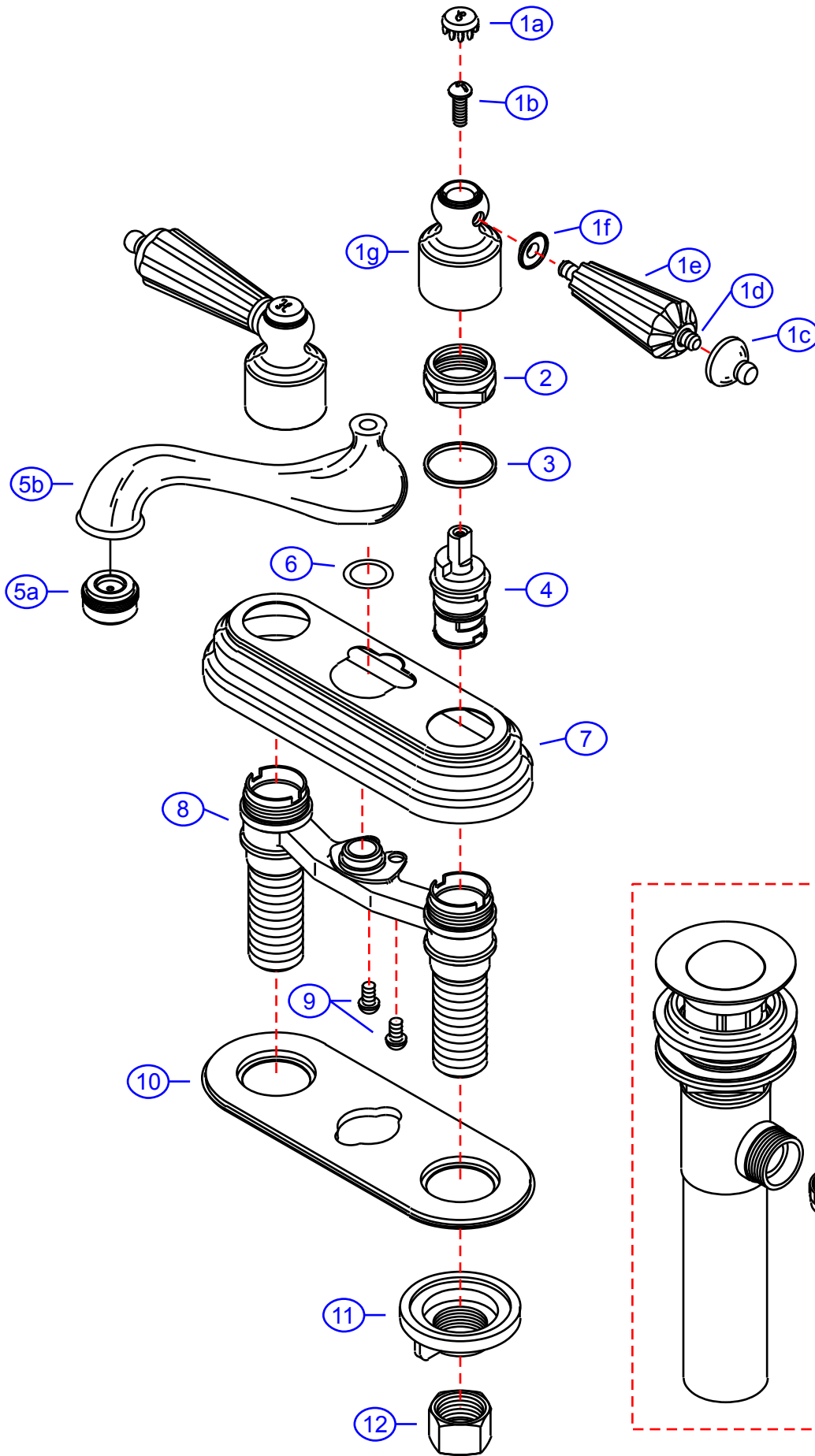


202-L

by Associated Marketing Concepts
 21624 Marilla Street, Chatsworth, CA 91311-4123
 (800) 270-4262 | (818) 678-1651 | FAX (818) 678-1655
 www.ambassador-amc.com

Ambassador
 FINE FAUCETS

By	SS	Chrome	Model #	202-L
Modified/Approved	9-10-03	White Porcelain	Series	Lotus
Fulfillment	F50C6200CW	Ceramic Disk	Valve	Type
				4" Center Set Lav.



202-L



Lotus 4" Center Set Lav- CD/CP

#	Description	Quantity	Part #	Finish
1	Lotus 4" Handle (Hot)	1	EA-662778HCP	Chrome/Porcelain
	Lotus 4" Handle (Cold)	1	EA-662778CCP	Chrome/Porcelain
1a	Cap "H"	1	E-206041HCP	Chrome
	Cap "C"	1	E-206041CCP	Chrome
1b	Screw	2	E-008044CP	Chrome
1c	Handle Tip	2	E-109003CP	Chrome
1d	Handle Rod	2	E-017045	Brass
1e	Handle (Lotus)	2	E-108028WH	Porcelain
1f	Spacer	2	E-107034CP	Chrome
1g	Canopy (Hot)	1	E-018019HCP	Chrome
	Canopy (Cold)	1	E-018019CCP	Chrome
2	Retainer Nut	2	E-016002CP	Chrome
3	Packing Ring	2	E-200013	Plastic
4	Cartridge (Hot)	1	E-507003NH	Ceramic Disc
	Cartridge (Cold)	1	E-507003NC	Ceramic Disc
5	Spout (Assembled)	1	EA-666605NCP	Chrome
5a	Aerator	1	E-500013NCP	Chrome
5b	Spout	1	E-100018NCP*	Chrome
6	O-Ring	1	E-048047N	Rubber
7	Cover Plate	1	E-007053CP	Chrome
8	Valve Body	1	E-002028N	Brass
9	Screw	2	E-008017CP	Chrome
10	Gasket	1	E-011012	Plastic
11	Thumb Screw	2	E-009007	Plastic
12	Connector Nuts	2	E-009016	Brass
13	Drain Kit (see "Drains" for parts)	1	EA-505009CP	Chrome/Porcelain

* Grayed parts are not available individually. "Assembled" item required.

by Associated Marketing Concepts
 21624 Marilla Street, Chatsworth, CA 91311-4123
 (800) 270-4262 * (818) 678-1651 * FAX (818) 678-1655
www.ambassador-amc.com