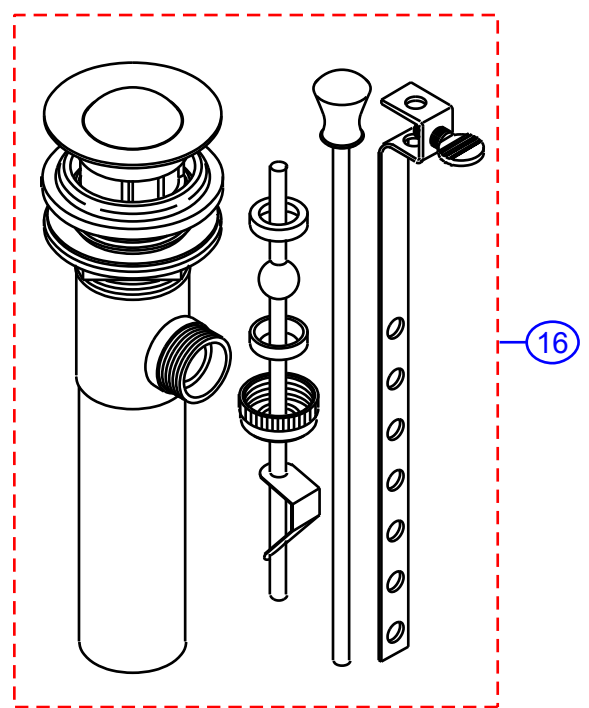
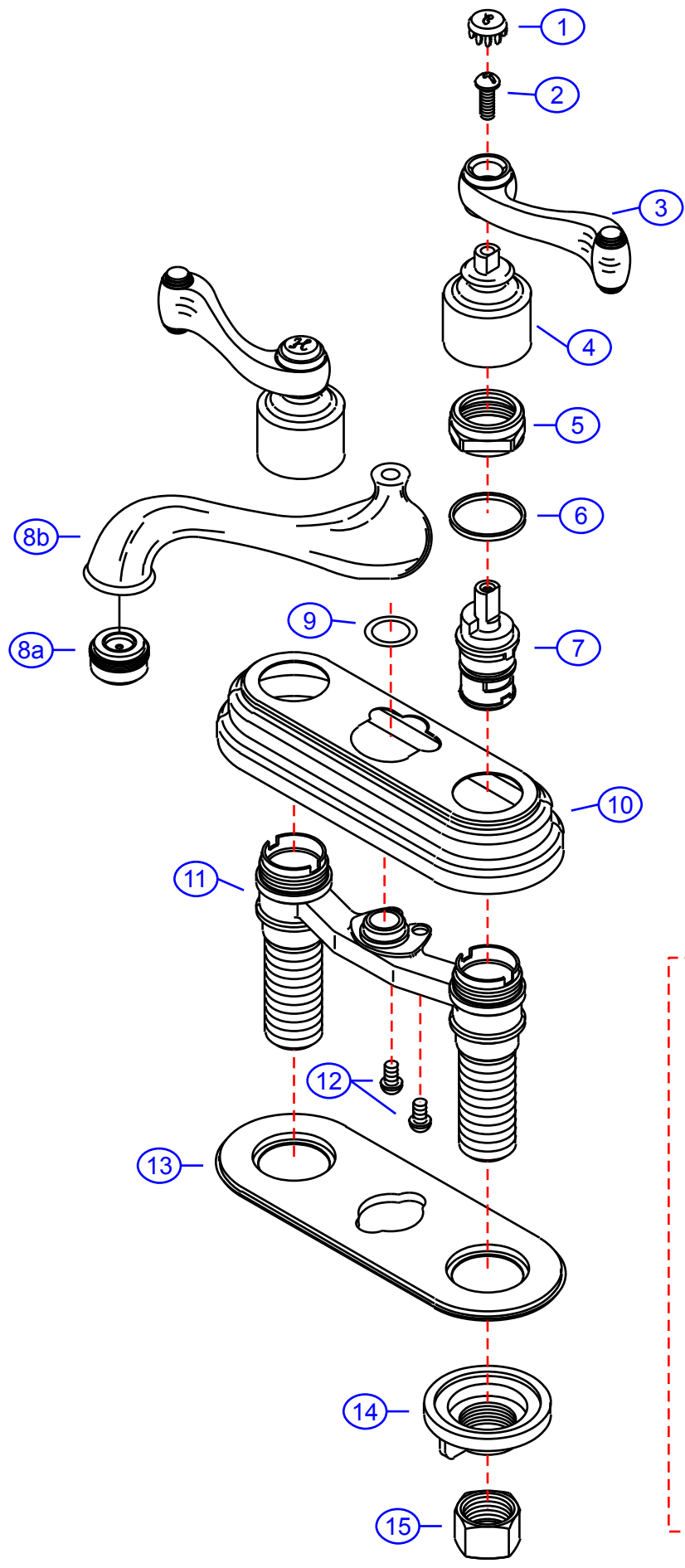


202-S

by Associated Marketing Concepts
 21624 Marilla Street, Chatsworth, CA 91311-4123
 (800) 270-4262 | (818) 678-1651 | FAX (818) 678-1655
 www.ambassador-amc.com

| | | | |
|-------------------|--------------------|--|--|
| Model # | 202-S | | |
| Series | "S" Handle | | |
| Type | 4" Center Set Lav. | | |
| Main Finish | Chrome | | |
| Accent Finish | None | | |
| Valve | Ceramic Disk | | |
| By | SS | | |
| Modified/Approved | 8-3-04 | | |
| Fulfillment | xxxCP | | |



202-S



"S" Handle 4" Center Set Lav- CD/CP

| # | Description | Quantity | Part # | Finish |
|----|------------------------------------|----------|--------------|--------------|
| 1 | Cap "H" | 1 | E-206041HCP | Chrome |
| | Cap "C" | 1 | E-206041CCP | Chrome |
| 2 | Screw | 2 | E-008044CP | Chrome |
| 3 | "S" Handle (Hot) | 1 | E-108036HCP | Chrome |
| | "S" Handle (Cold) | 1 | E-108036CCP | Chrome |
| 4 | Canopy (Hot) | 1 | E-018154HCP | Chrome |
| | Canopy (Cold) | 1 | E-018154CCP | Chrome |
| 5 | Retainer Nut | 2 | E-016002CP | Chrome |
| 6 | Packing Ring | 2 | E-200013 | Plastic |
| 7 | Cartridge (Hot) | 1 | E-507003NH | Ceramic Disc |
| | Cartridge (Cold) | 1 | E-507003NC | Ceramic Disc |
| 8 | Spout (Assembled) | 1 | EA-666605NCP | Chrome |
| 8a | Aerator | 1 | E-500013NCP | Chrome |
| 8b | Spout | 1 | E-100018NCP* | Chrome |
| 9 | O-Ring | 1 | E-048047N | Rubber |
| 10 | Cover Plate | 1 | E-007053CP | Chrome |
| 11 | Valve Body | 1 | E-002028N | Brass |
| 12 | Screw | 2 | E-008017CP | Chrome |
| 13 | Gasket | 1 | E-011012 | Plastic |
| 14 | Thumb Screw | 2 | E-009007 | Plastic |
| 15 | Connector Nuts | 2 | E-009016 | Brass |
| 16 | Drain Kit (see "Drains" for parts) | 1 | EA-505039CP | Chrome |

* Grayed parts are not available individually. "Assembled" item required.