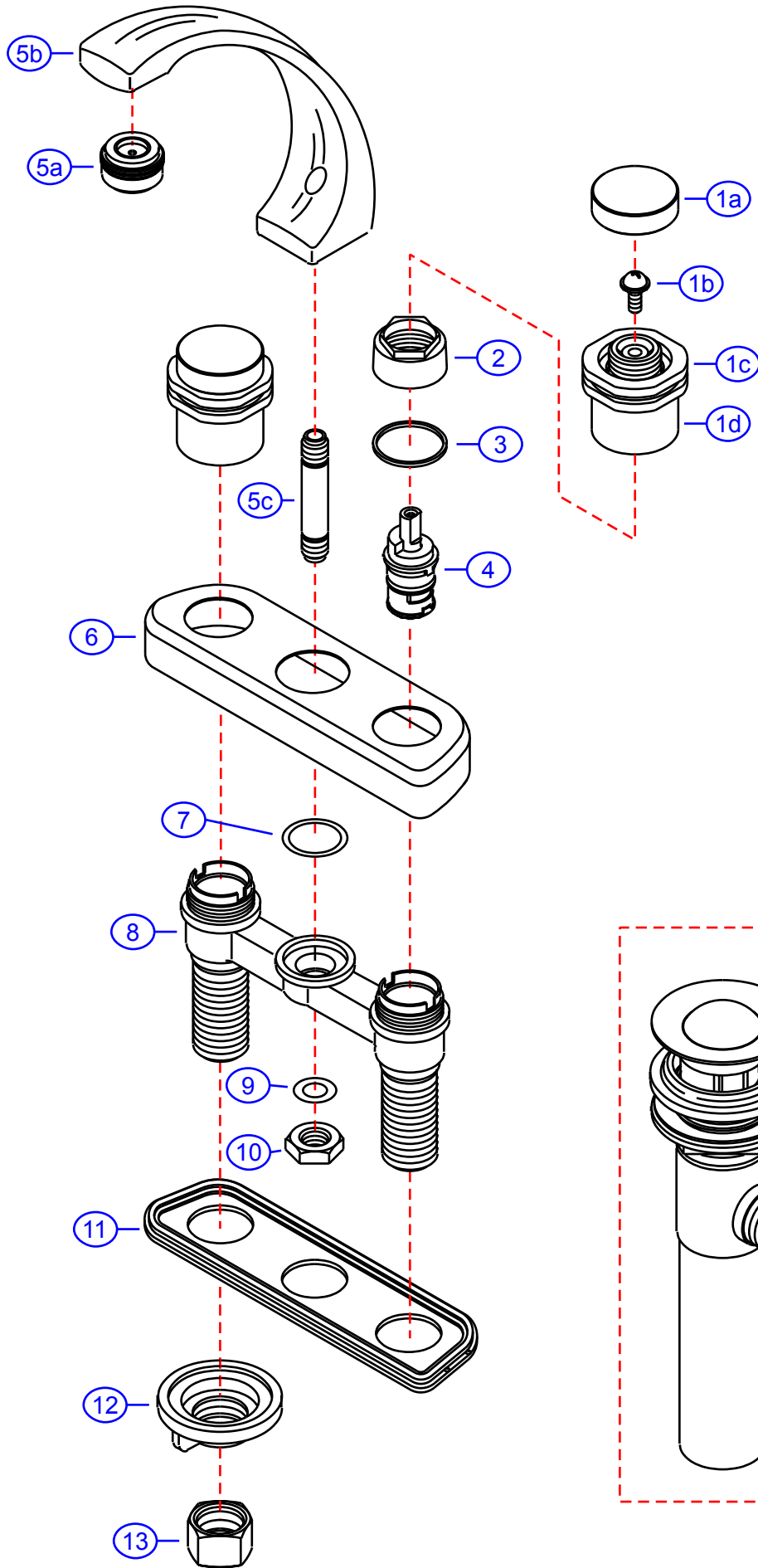


302-H

by Associated Marketing Concepts
 21624 Manilla Street, Chatsworth, CA 91311-4123
 (800) 270-4262 | (818) 678-1651 | FAX (818) 678-1655
 www.ambassador-amc.com

Ambassador
 FINE FAUCETS

By	SS	Main Finish	Chrome	Model #	302-H
Modified/Approved	9-10-03	Accent Finish	18k Gold	Series	Hex Ring
Fulfillment	F50A2205CG	Valve	Ceramic Disk	Type	4" Center Set Lav.



302-H



Hex Ring 4" Center Set Lav- CD/CG

#	Description	Quantity	Part #	Finish
1	Hex Ring 4" Handle	2	EA-506040HCG	Chrome/Gold
1a	Cap	2	E-206001CP	Chrome
1b	Screw	2	E-008000	Metal
1c	Trim Ring	2	E-218004GP	Gold
1d	Handle Canopy	2	E-215002HCP	Chrome
2	Retainer Nut	2	E-016002CP	Chrome
3	Packing Ring	2	E-200013	Plastic
4	Cartridge	2	E-507003NH	Ceramic Disk
5	Spout (Assembled)	1	EA-666505CG	Chrome/Gold
5a	Aerator	1	E-500013NGP	Gold
5b	Spout	1	E-132078NCP*	Chrome
5c	Shank	1	E-051015*	Brass
6	Cover Plate	1	E-007001CP	Chrome
7	O-Ring	1	E-004028N	Rubber
8	Valve Body	1	E-002068N	Brass
9	O-Ring	1	E-004019N	Rubber
10	Spout Nut	1	E-009010	Brass
11	Gasket	1	E-011006	Plastic
12	Thumb Nut	2	E-009007	Plastic
13	Connector Nuts	2	E-009016	Brass
14	Drain Kit (see "Drains" for parts)	1	EA-505006CG	Chrome/Gold

* Grayed parts are not available individually. "Assembled" item required.