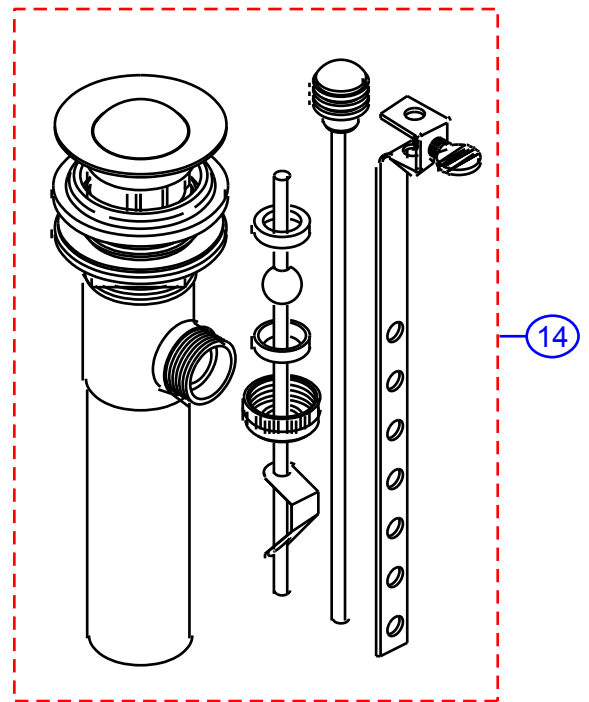
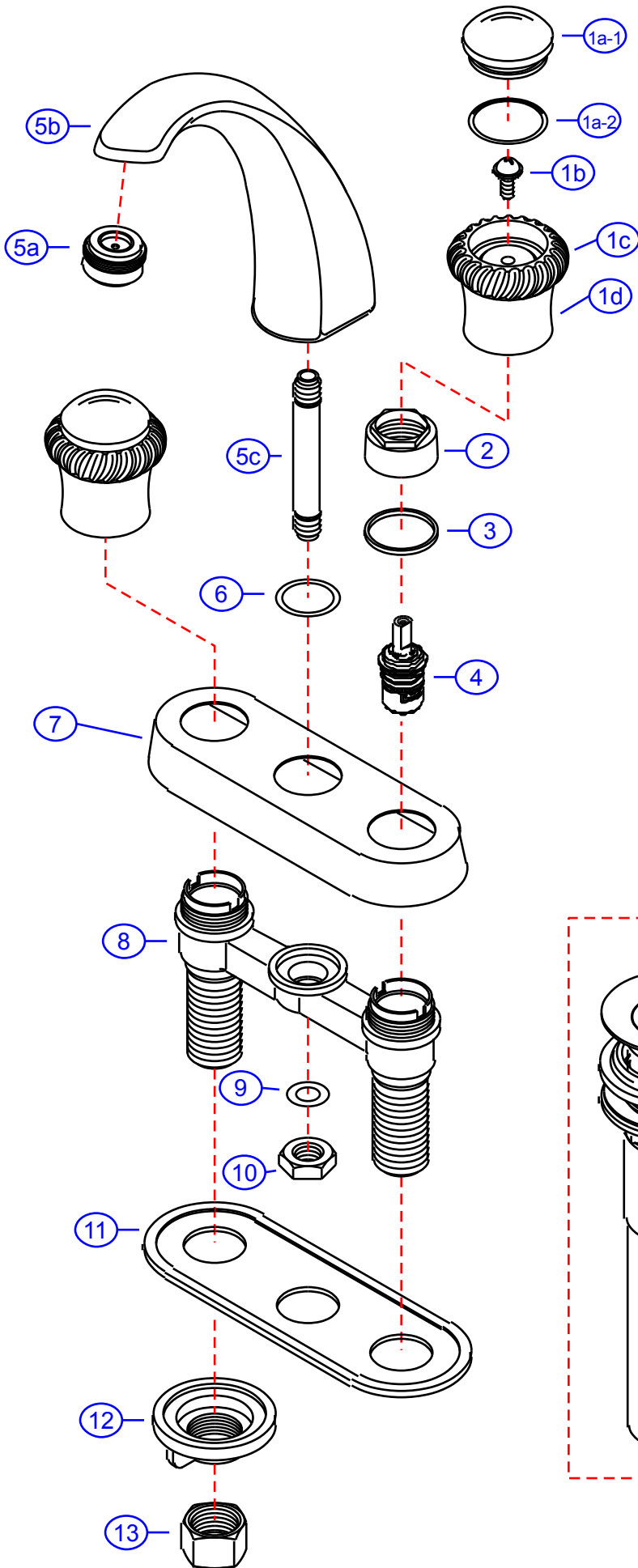


# 302-R

by Associated Marketing Concepts  
 21624 Marilla Street, Chatsworth, CA 91311-4123  
 (800) 270-4262 | (818) 678-1651 | FAX (818) 678-1655  
 www.ambassador-amc.com

**Ambassador**  
 FINE FAUCETS

By	SS	Main Finish	Chrome	Model #	302-R
Modified/Approved	9-9-03	Accent Finish	18k Gold	Series	Rope Ring
Fulfillment	F50A2200CG	Valve	Ceramic Disk	Type	4" Center Set Lav.



# 302-R



## Rope Ring 4" Center Set Lav- CD/CG

#	Description	Quantity	Part #	Finish
1	Rope Ring 4" Handle	2	EA-506090HCG	Chrome/Gold
1a	Cap w/O-Ring	2	EA-663405CP	Chrome
1a-1	Cap	2	E-206050CP*	Chrome
1a-2	O-Ring	2	E-004052	Rubber
1b	Screw	2	E-008000	Metal
1c	Trim Ring	2	E-218011GP*	Gold
1d	Handle Canopy	2	E-215012HCP*	Chrome
2	Retainer Nut	2	E-016002CP	Chrome
3	Packing Ring	2	E-200013	Plastic
4	Cartridge	2	E-507003NH	Ceramic Disk
5	Spout (Assembled)	1	EA-666404CG	Chrome/Gold
5a	Aerator	1	E-500013NGP	Gold
5b	Spout	1	E-100001NCP*	Chrome
5c	Shank	1	E-051012*	Brass
6	O-Ring	1	E-004028N	Rubber
7	Cover Plate	1	E-007000CP	Chrome
8	Valve Body	1	E-002068N	Brass
9	O-Ring	1	E-004019N	Rubber
10	Spout Nut	1	E-009010	Brass
11	Gasket	1	E-011000	Plastic
12	Thumb Nut	2	E-009007	Plastic
13	Connector Nuts	2	E-009016	Brass
14	Drain Kit (see "Drains" for parts)	1	EA-505005CG	Chrome/Gold

\* Grayed parts are not available individually. "Assembled" item required.

by Associated Marketing Concepts  
 21624 Marilla Street, Chatsworth, CA 91311-4123  
 (800) 270-4262 \* (818) 678-1651 \* FAX (818) 678-1655  
 www.ambassador-amc.com