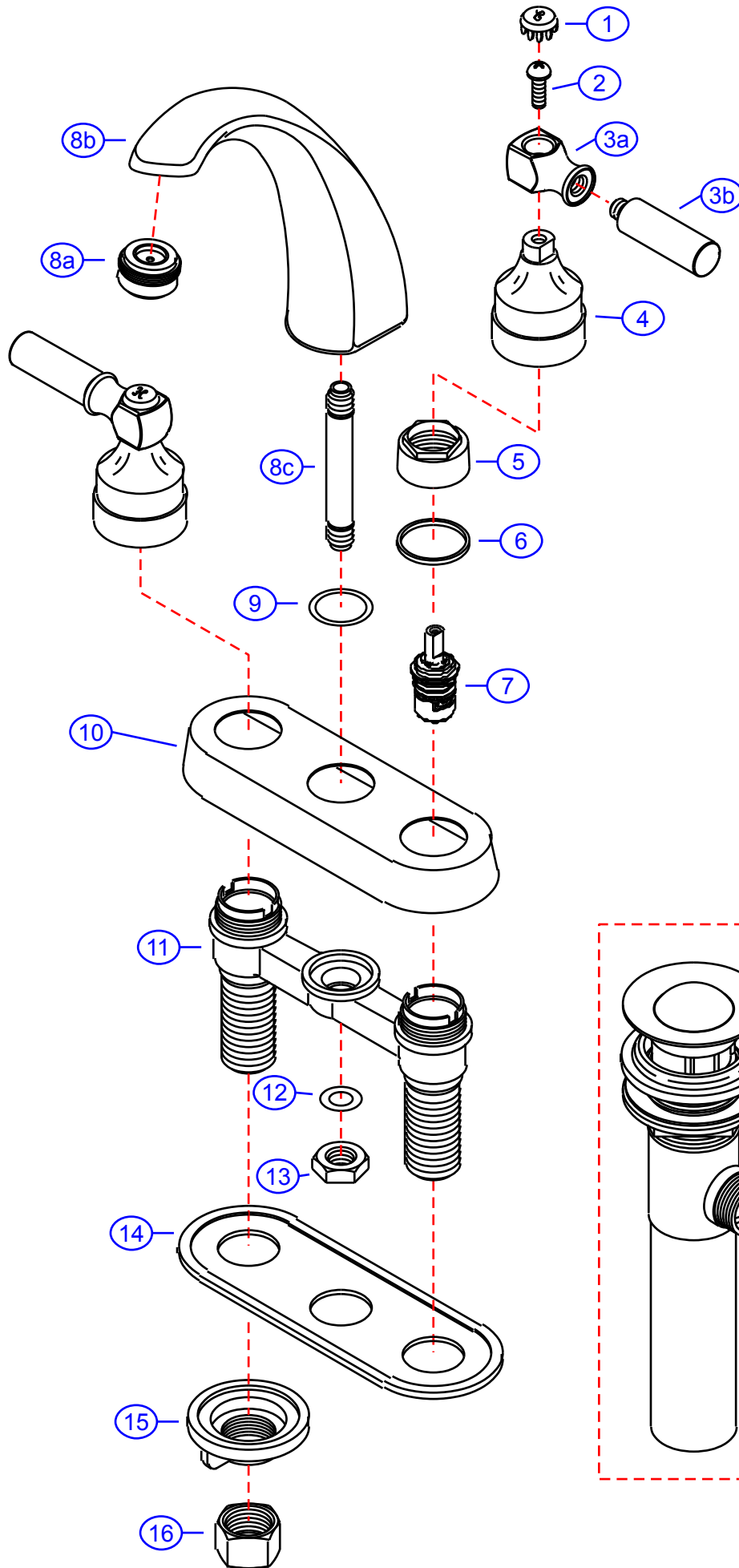


302-W

by Associated Marketing Concepts
 21624 Manilla Street, Chatsworth, CA 91311-4123
 (800) 270-4262 | (818) 678-1651 | FAX (818) 678-1655
 www.ambassador-amc.com

Ambassador
 FINE FAUCETS

By	SS	Main Finish	Satin	Model #	302-W
Modified/Approved	9-9-03	Accent Finish	None	Series	Bar-Lever
Fulfillment	F50A5202ST	Valve	Ceramic Disk	Type	4" Center Set Lav.



302-W



Bar-Lever 4" Center Set Lav- CD/ST

#	Description	Quantity	Part #	Finish
1	Cap "H"	1	E-206041HST	Satin
	Cap "C"	1	E-206041CST	Satin
2	Handle Screw	2	E-008037CP	Metal
3	Handle	2	EA-662048ST	Satin
3a	Handle Head	2	E-107047ST*	Satin
3b	Handle Tip	2	E-552030ST*	Satin
4	Handle Canopy (Hot)	1	E-018027HST	Satin
	Handle Canopy (Cold)	1	E-018027CST	Satin
5	Retainer Nut	2	E-016002CP	Chrome
6	Packing Ring	2	E-200013	Plastic
7	Cartridge (Hot)	1	E-507003NH	Ceramic Disk
	Cartridge (Cold)	1	E-507003NC	Ceramic Disk
8	Spout (Assembled)	1	EA-666404ST	Satin
8a	Aerator	1	E-500013NST	Satin
8b	Spout	1	E-100001ST*	Satin
8c	Shank	1	E-051012*	Brass
9	O-Ring	1	E-004028N	Rubber
10	Cover Plate	1	E-007000ST	Satin
11	Valve Body	1	E-002068N	Brass
12	O-Ring	1	E-004019N	Rubber
13	Spout Nut	1	E-009010	Brass
14	Gasket	1	E-011000	Plastic
15	Thumb Nut	2	E-009007	Plastic
16	Connector Nuts	2	E-009016	Brass
17	Drain Kit (see "Drains" for parts)	1	EA-505039ST	Satin

* Grayed parts are not available individually. "Assembled" item required.

by Associated Marketing Concepts
21624 Marilla Street, Chatsworth, CA 91311-4123
(800) 270-4262 * (818) 678-1651 * FAX (818) 678-1655
www.ambassador-amc.com