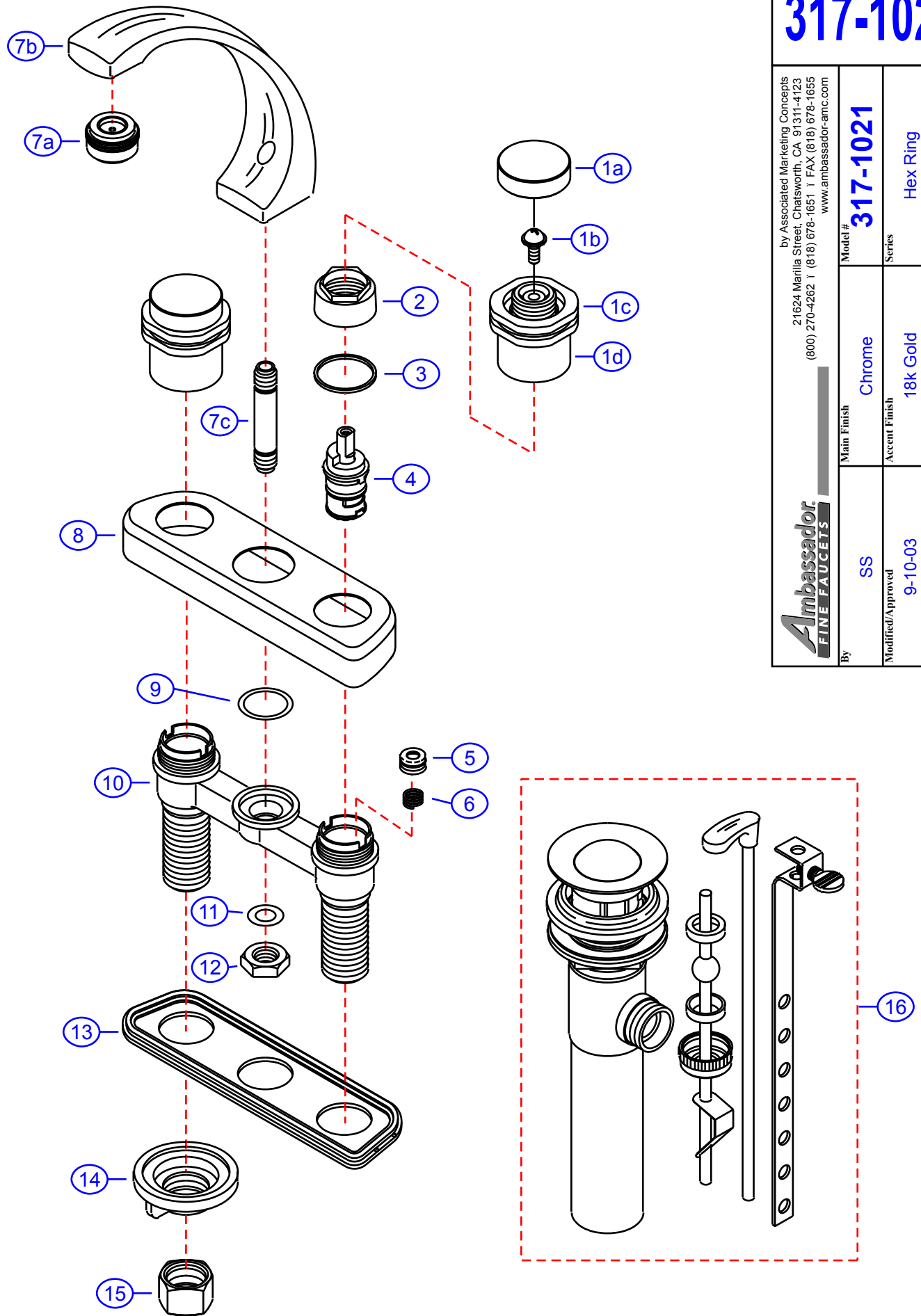


317-1021

by Associated Marketing Concepts
 21624 Marilla Street, Chatsworth, CA 91311-4123
 (800) 270-4262 | (818) 678-1651 | FAX (818) 678-1655
 www.ambassador-amc.com



By	SS	Main Finish	Chrome	Model #	317-1021
Modified/Approved	9-10-03	Accent Finish	18k Gold	Series	Hex Ring
Fulfillment	F5012203CG	Valve	Standard (Washerless)	Type	4" Center Set Lav.



317-1021



Hex Ring 4" Center Set Lav- Std/CG

#	Description	Quantity	Part #	Finish
1	Hex Ring 4" Handle	2	EA-506040HCG	Chrome/Gold
1a	Cap	2	E-206001CP	Chrome
1b	Screw	2	E-008000	Metal
1c	Trim Ring	2	E-218004GP	Gold
1d	Handle Canopy	2	E-215002HCP	Chrome
2	Retainer Nut	2	E-016002CP	Chrome
3	Packing Ring	2	E-200013	Plastic
4	Cartridge	2	E-507006N	Plastic/Brass
5	Seat	2	E-005000	Rubber
6	Spring	2	E-101000N	Metal
7	Spout (Assembled)	1	EA-666505CG	Chrome/Gold
7a	Aerator	1	E-500013NGP	Gold
7b	Spout	1	E-132078NCP*	Chrome
7c	Shank	1	E-051015*	Brass
8	Cover Plate	1	E-007001CP	Chrome
9	O-Ring	1	E-004028N	Rubber
10	Valve Body	1	E-002003N	Brass
11	O-Ring	1	E-004019N	Rubber
12	Spout Nut	1	E-009010	Brass
13	Gasket	1	E-011006	Plastic
14	Thumb Nut	2	E-009007	Plastic
15	Connector Nuts	2	E-009016	Brass
16	Drain Kit (see "Drains" for parts)	1	EA-505006CG	Chrome/Gold

* Grayed parts are not available individually. "Assembled" item required.

by Associated Marketing Concepts
21624 Marilla Street, Chatsworth, CA 91311-4123
(800) 270-4262 * (818) 678-1651 * FAX (818) 678-1655
www.ambassador-amc.com