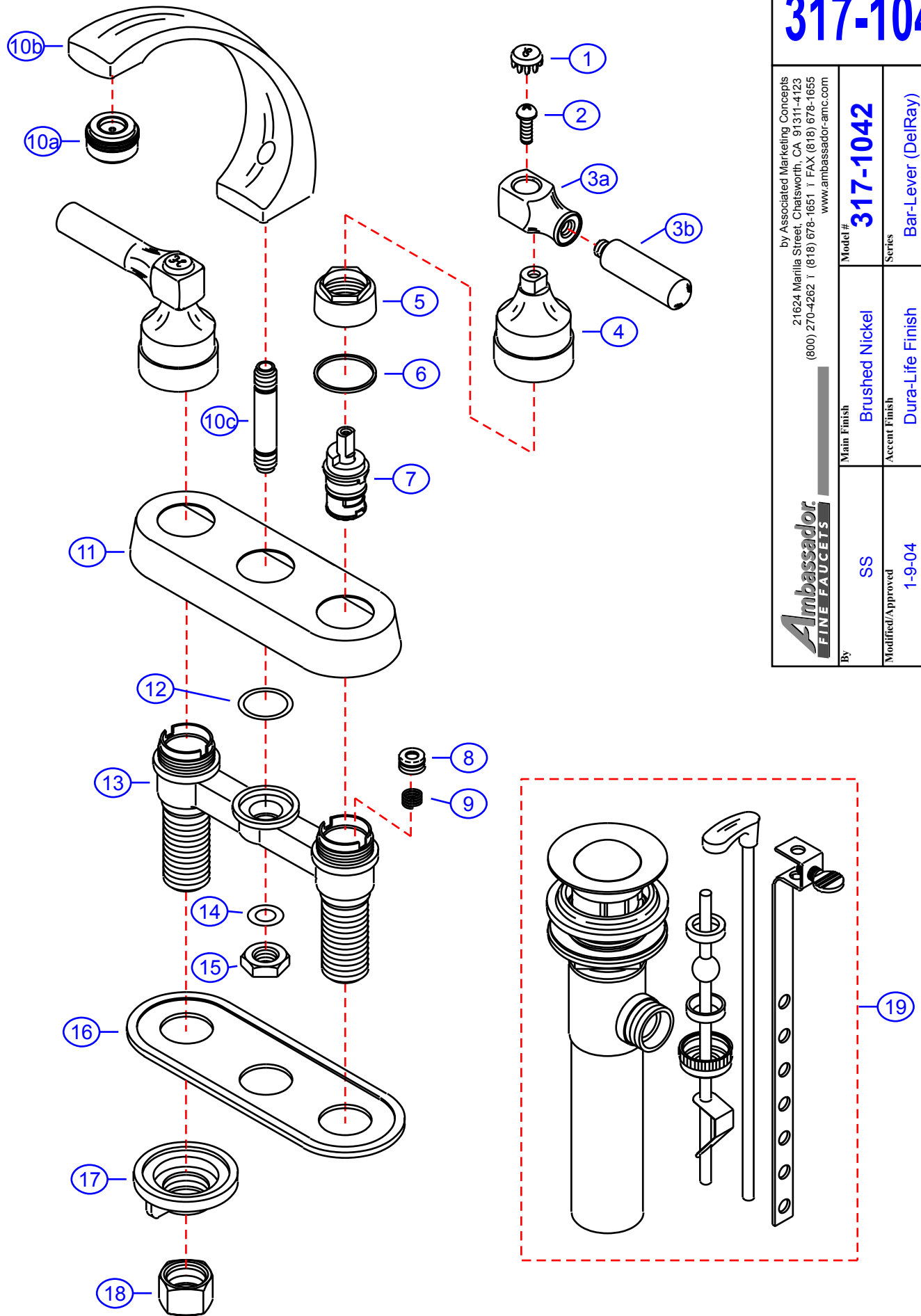


317-1042

by Associated Marketing Concepts
 21624 Marilla Street, Chatsworth, CA 91311-4123
 (800) 270-4262 | (818) 678-1651 | FAX (818) 678-1655
 www.ambassador-amc.com

Ambassador
 FINE FAUCETS

By	SS	Main Finish	Brushed Nickel	Model #	317-1042
Modified/Approved	1-9-04	Accent Finish	Dura-Life Finish	Series	Bar-Lever (DeiRay)
Fulfillment	F5015201NY	Valve	Standard (Washerless)	Type	4" Center Set Lav.



317-1042



Bar-Lever (DelRay) 4" Center Set Lav- Std/NY

#	Description	Quantity	Part #	Finish
1	Cap "H"	1	E-206041HNP	Brushed Nickel
	Cap "C"	1	E-206041CNP	Brushed Nickel
2	Handle Screw	2	E-008037CP	Metal
3	Handle	2	EA-662048YP	Dura-Life Finish
3a	Handle Head	2	E-107047YP*	Dura-Life Finish
3b	Handle Tip	2	E-552030YP*	Dura-Life Finish
4	Handle Canopy (Hot)	1	E-018027HNP	Brushed Nickel
	Handle Canopy (Cold)	1	E-018027CNP	Brushed Nickel
5	Retainer Nut	2	E-016002CP	Chrome
6	Packing Ring	2	E-200013	Plastic
7	Cartridge	2	E-507006N	Plastic/Brass
8	Seat	2	E-101000N	Rubber
9	Spring	2	E-005000	Metal
10	Spout (Assembled)	1	EA-666505NY	Brushed Nickel/Dura-Life Finish
10a	Aerator	1	E-500013NYP	Dura-Life Finish
10b	Spout	1	E-132078NP*	Brushed Nickel
10c	Shank	1	E-051015*	Brass
11	Cover Plate	1	E-007000NP	Brushed Nickel
12	O-Ring	1	E-004028N	Rubber
13	Valve Body	1	E-002003N	Brass
14	O-Ring	1	E-004019N	Rubber
15	Spout Nut	1	E-009010	Brass
16	Gasket	1	E-011000	Plastic
17	Thumb Nut	2	E-009007	Plastic
18	Connector Nuts	2	E-009016	Brass
19	Drain Kit (see "Drains" for parts)	1	EA-505006NY	Brushed Nickel/Dura-Life Finish

* Grayed parts are not available individually. "Assembled" item required.

by Associated Marketing Concepts
21624 Marilla Street, Chatsworth, CA 91311-4123
(800) 270-4262 * (818) 678-1651 * FAX (818) 678-1655
www.ambassador-amc.com