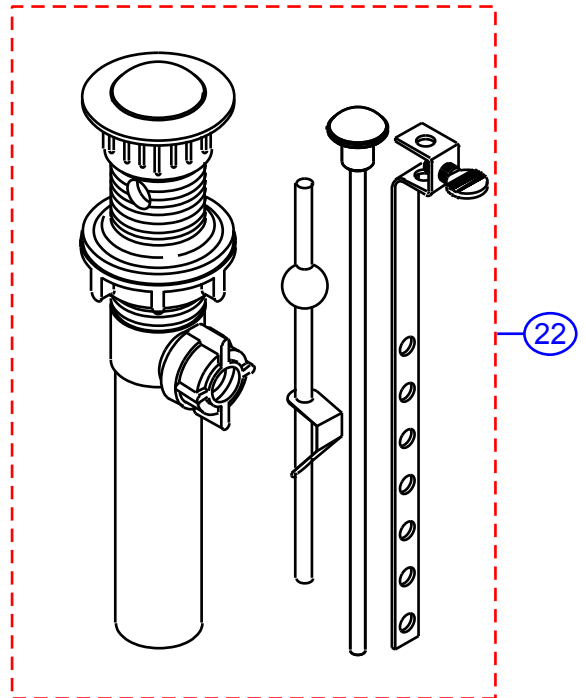
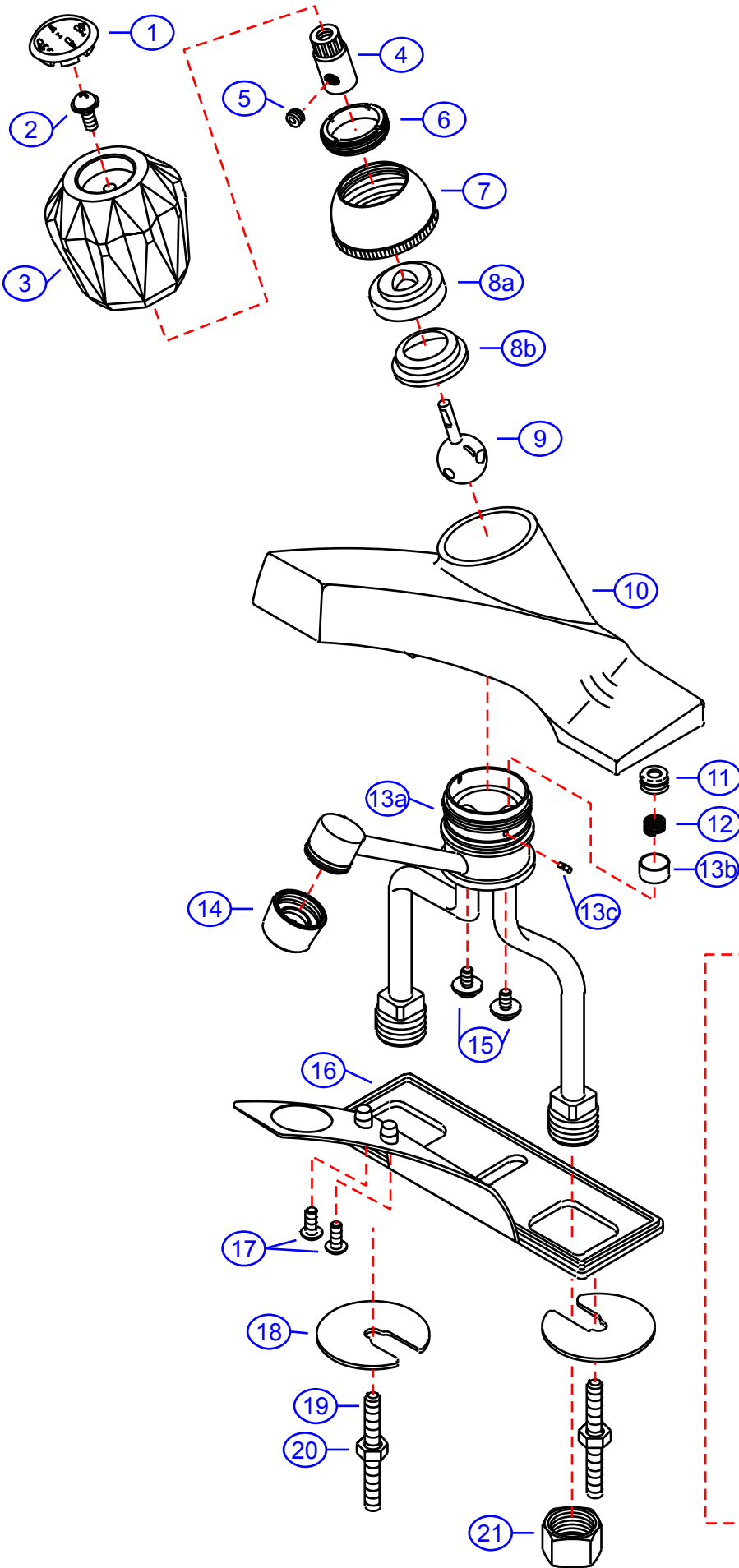


317-1102

by Associated Marketing Concepts
 21624 Marilla Street, Chatsworth, CA 91311-4123
 (800) 270-4262 • (818) 678-1651 • FAX (818) 678-1655
 www.ambassador-amc.com

Ambassador
 FINE FAUCETS

| | | | | | |
|-------------------|------------|---------------|-------------------|---------|--------------------|
| By | SS | Main Finish | Chrome | Model # | 317-1102 |
| Modified/Approved | 4-26-06 | Accent Finish | Acrylic | Series | Single Control |
| Fulfillment | F4110400CP | Valve | Ball (Washerless) | Type | 4" Center Set Lav. |



317-1102



Single Control 4" Center Set Lav- Ball/CP

| # | Description | Quantity | Part # | Finish |
|-----|------------------------------------|----------|--------------|----------------|
| 1 | Button Cap | 1 | E-206004CP | Acrylic/Chrome |
| 2 | Handle Screw | 1 | E-008000 | Metal |
| 3 | Handle | 1 | E-029000 | Acrylic |
| 4 | Adapter | 1 | G-20500CP | Chrome |
| 5 | Set Screw | 1 | E-008056 | Metal |
| 6 | Adjusting Ring | 1 | E-104001 | Brass |
| 7 | Cap | 1 | E-103000CP | Chrome |
| 8 | Cam & Packing | 1 | EA-663000N | Plastic/Rubber |
| 8a | Cam | 1 | E-201000* | Plastic |
| 8b | Packing | 1 | E-102000N* | Rubber |
| 9 | Ball Assembly | 1 | E-040004 | Metal |
| 10 | Cover | 1 | G-00706CP | Chrome |
| 11 | Seat | 2 | E-101000N | Rubber |
| 12 | Spring | 2 | E-005000 | Metal |
| 13 | Valve (Assembled) | 1 | G-X3112 | Brass |
| 13a | Valve Body | 1 | G-00216N-02* | Brass/Copper |
| 13b | Seat & Spring Housing | 2 | E-106001* | Metal |
| 13c | Pin | 1 | E-003000 | Metal |
| 14 | Aerator | 1 | E-500012NCP | Chrome |
| 15 | Screw | 2 | E-008013CP | Chrome |
| 16 | Bottom Plate | 1 | G-01120 | Plastic |
| 17 | Screw | 2 | G-00810CP | Chrome |
| 18 | Mounting Washer | 2 | E-013001NI | Metal |
| 19 | Mounting Rod | 2 | E-017000ZN | Metal |
| 20 | Mounting Nut | 2 | E-009004ZN | Metal |
| 21 | Connector Nuts | 2 | E-009016 | Brass |
| 22 | Drain Kit (see "Drains" for parts) | 1 | EA-505004CP | Chrome |

* Grayed parts are not available individually. "Assembled" item required.

by Associated Marketing Concepts
21624 Marilla Street, Chatsworth, CA 91311-4123
(800) 270-4262 * (818) 678-1651 * FAX (818) 678-1655
www.ambassador-amc.com