

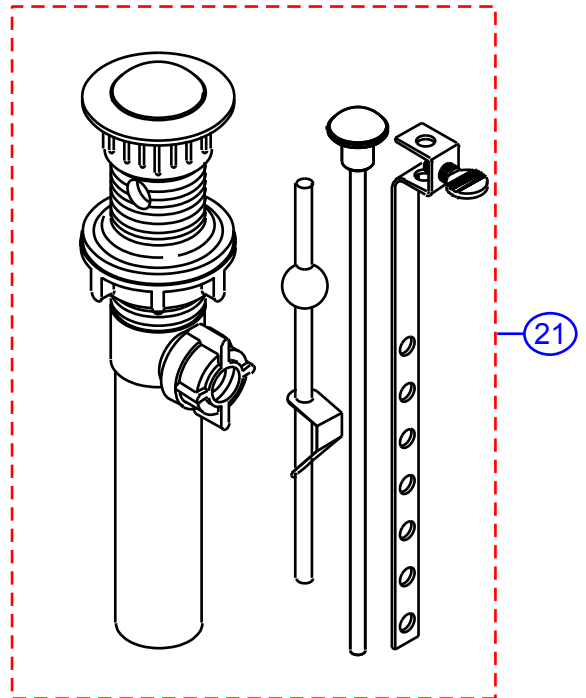
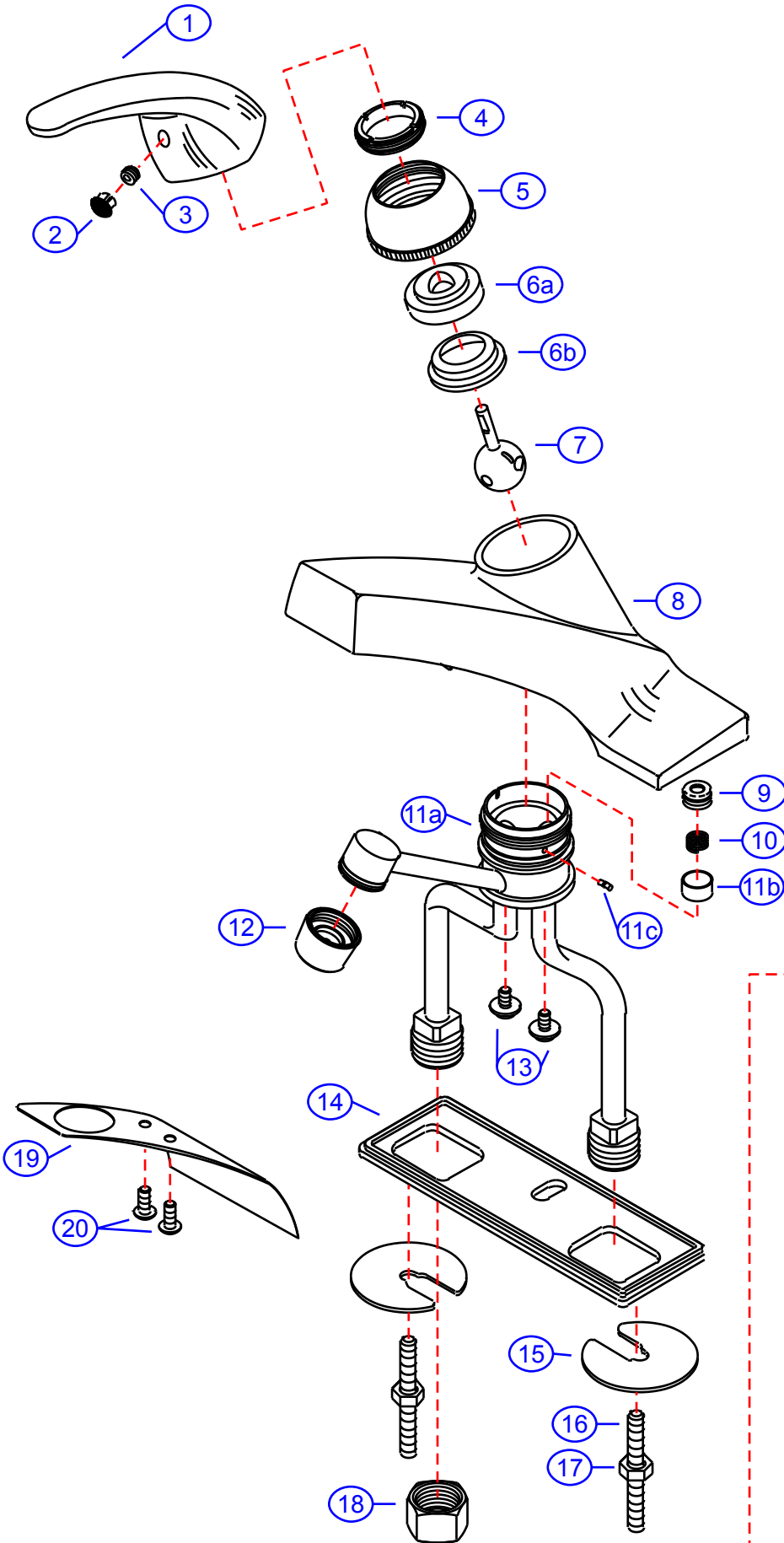
317-1105

version 1

by Associated Marketing Concepts
21624 Marilla Street, Chatsworth, CA 91311-4123
(800) 270-4262 | (818) 678-1651 | FAX (818) 678-1655
www.ambassador-amc.com

Ambassador
FINE FAUCETS

By	SS	Main Finish	Chrome	Model #	317-1105	v1
Modified/Approved	5-1-07	Accent Finish	None	Series		Single Lever
Fulfillment	F4114402CP	Valve	Ball (Washerless)	Type		4" Center Set Lav.



317-1105 v1



Single Lever 4" Center Set Lav- Ball/CP

#	Description	Quantity	Part #	Finish
1	Handle	1	E-029022CP	Chrome
2	Red/Blue Plug	1	E-028020	Plastic
3	Set Screw	1	E-008056	Metal
4	Adjusting Ring	1	E-104001	Brass
5	Cap	1	E-103000CP	Chrome
6	Cam & Packing	1	EA-663000N	Plastic/Rubber
6a	Cam	1	E-201000*	Plastic
6b	Packing	1	E-102000N*	Rubber
7	Ball Assembly	1	E-040004	Metal
8	Cover	1	E-007007CP	Chrome
9	Seat	2	E-101000N	Rubber
10	Spring	2	E-005000	Metal
11	Valve (Assembled)	1	G-Axxxx	Brass
11a	Valve Body	1	E-044389N*	Brass/Copper
11b	Seat & Spring Housing	2	E-106001*	Metal
11c	Pin	1	E-003000	Metal
12	Aerator	1	E-500012NCP	Chrome
13	Screw	2	E-008013CP	Chrome
14	Gasket	1	E-011008	Plastic
15	Mounting Washer	2	E-013001NI	Metal
16	Mounting Rod	2	E-017000ZN	Metal
17	Mounting Nut	2	E-009004ZN	Metal
18	Connector Nuts	2	E-009016	Brass
19	Bottom Plate	1	E-223002	Metal
20	Screw	2	E-008028CP	Chrome
21	Drain Kit (see "Drains" for parts)	1	EA-505004CP	Chrome

* Grayed parts are not available individually. "Assembled" item required.

by Associated Marketing Concepts
 21624 Marilla Street, Chatsworth, CA 91311-4123
 (800) 270-4262 * (818) 678-1651 * FAX (818) 678-1655
www.ambassador-amc.com