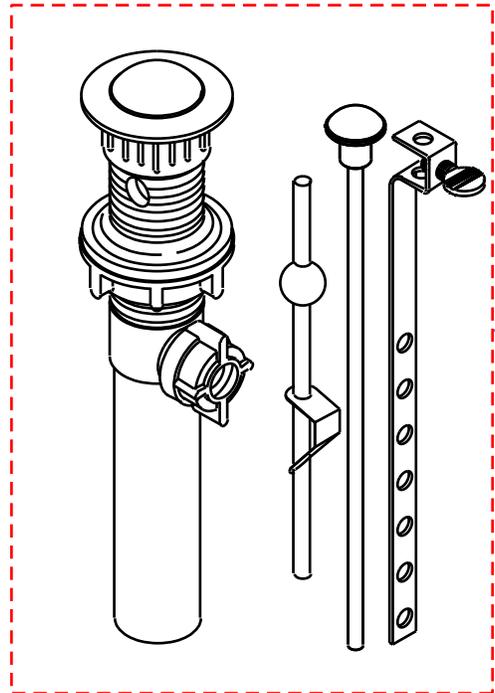
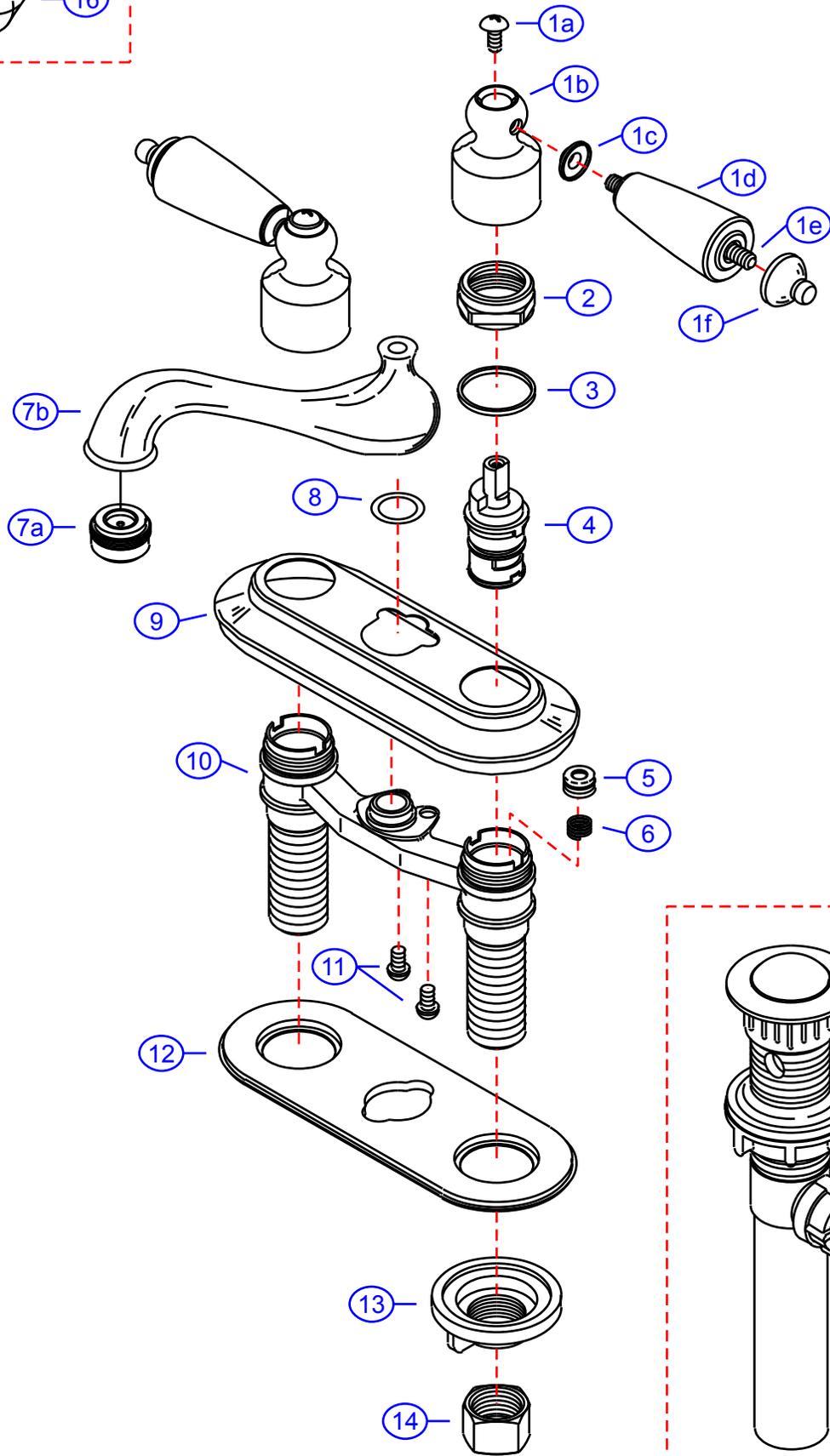
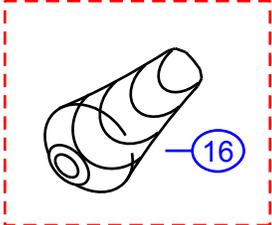


317-2110

by Associated Marketing Concepts
 21624 Manilla Street, Chatsworth, CA 91311-4123
 (800) 270-4262 • (818) 678-1651 • FAX (818) 678-1655
 www.ambassador-amc.com



By	SS	Main Finish Polished Brass	Model # 317-2110
Modified/Approved	5-3-06	Accent Finish White Porcelain / Oak	Series Brass/Porcelain
Fulfillment	xxxxxx	Valve Standard (Washerless)	Type 4" Center Set Lav.



317-2110



Brass/Porcelain 4" Center Set Lav- Std/PW

#	Description	Quantity	Part #	Finish
1	Brass/Porcelain 4" Handle (Hot)	1	G-xxxx	Brass/Porcelain
	Brass/Porcelain 4" Handle (Cold)	1	G-xxxx	Brass/Porcelain
1a	Screw	2	G-xxxxPB	Polished Brass
1b	Handle Canopy (Hot)	1	G-xxxxPB	Polished Brass
	Handle Canopy (Cold)	1	G-xxxxPB	Polished Brass
1c	Spacer	2	G-xxxxPB	Polished Brass
1d	Handle (Brass/Porcelain)	2	G-xxxx	Porcelain
1e	Handle Rod	2	E-017045	Brass
1f	Handle Tip	2	E-109003PB	Polished Brass
2	Retainer Nut	2	E-016002PB	Polished Brass
3	Packing Ring	2	E-200013	Plastic
4	Cartridge	2	E-507006N	Plastic/Brass
5	Seat	2	E-101000N	Rubber
6	Spring	2	E-005000	Metal
7	Spout (Assembled)	1	EA-666605NPB	Polished Brass
7a	Aerator	1	E-500013NPB	Polished Brass
7b	Spout	1	E-100018NPB*	Polished Brass
8	O-Ring	1	E-048047N	Rubber
9	Cover Plate	1	G-xxxx	Polished Brass
10	Valve Body	1	G-xxxx	Brass
11	Screw	2	E-008017CP	Chrome
12	Gasket	1	G-xxxx	Plastic
13	Thumb Screw	2	E-009007	Plastic
14	Connector Nuts	2	E-009016	Brass
15	Drain Kit (see "Drains" for parts)	1	EA-505004PB	Polished Brass
ALSO INCLUDED IN BOX				
16	Handle	2	G-xxxx	Oak
* Grayed parts are not available individually. "Assembled" item required.				

by Associated Marketing Concepts
21624 Marilla Street, Chatsworth, CA 91311-4123
(800) 270-4262 * (818) 678-1651 * FAX (818) 678-1655
www.ambassador-amc.com