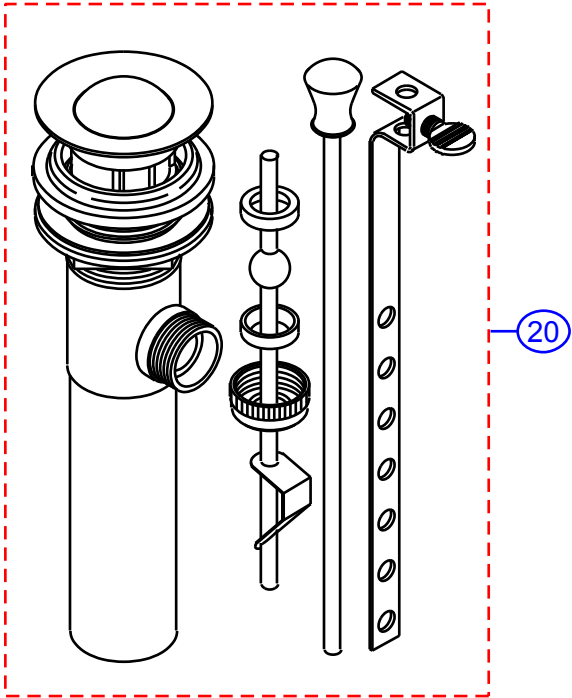
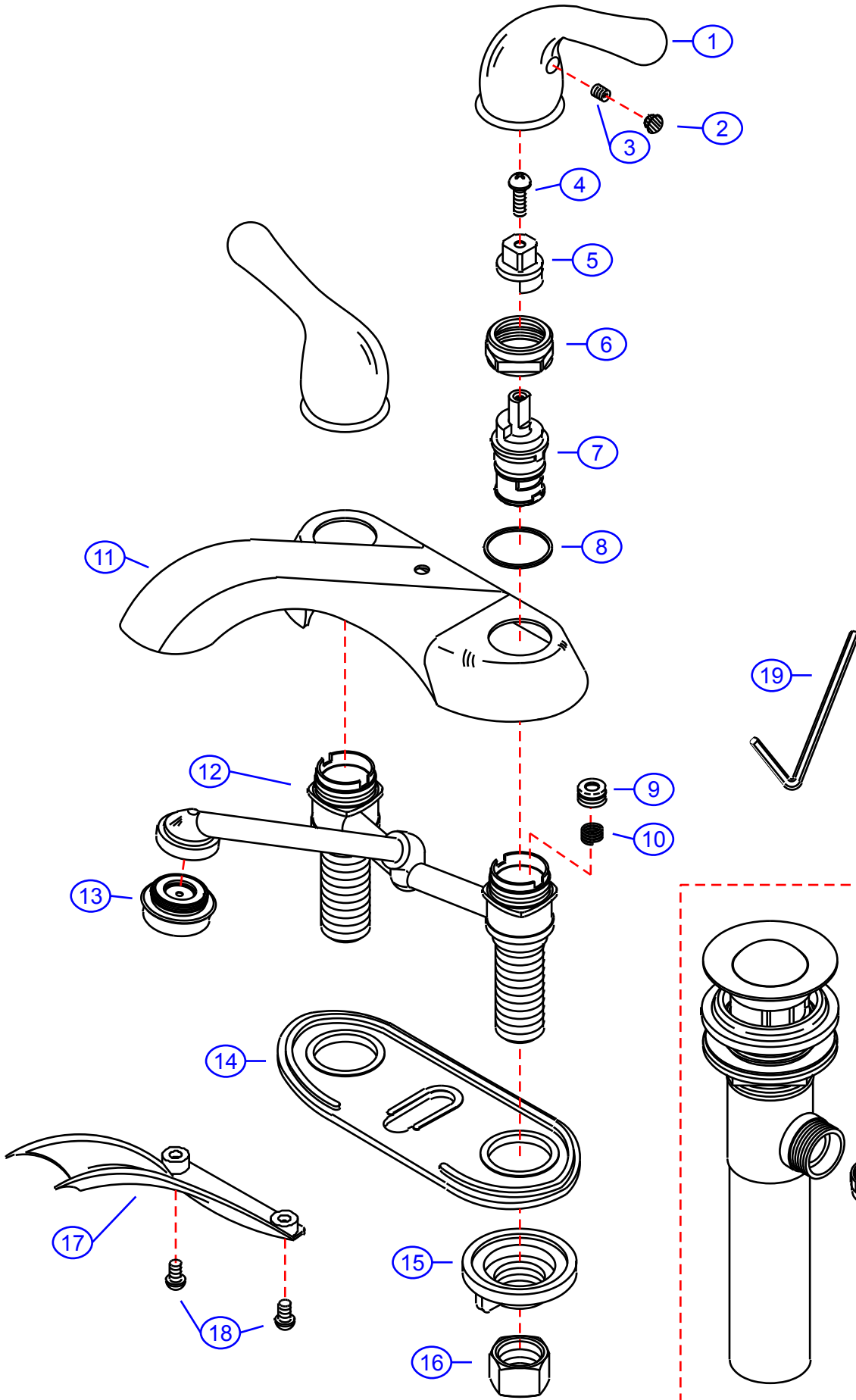


317-3300

by Associated Marketing Concepts
 21624 Marilla Street, Chatsworth, CA 91311-4123
 (800) 270-4262 | (818) 678-1651 | FAX (818) 678-1655
 www.ambassador-amc.com

Ambassador
 FINE FAUCETS

By	SS	Main Finish	Chrome	Model #	317-3300
Modified/Approved	12-19-03	Accent Finish	None	Series	Cleopatra
Fulfillment	xxxCP	Valve	Standard (Washerless)	Type	4" Center Set Lav.



317-3300



Cleopatra 4" Center Set Lav- Std/CP

#	Description	Quantity	Part #	Finish
1	Handle	2	E-029032CP	Chrome
2	Red Plug	1	E-028046H	Rubber
	Blue Plug	1	E-028046C	Rubber
3	Set Screw	2	E-008003	Metal
4	Screw	2	E-008044CP	Chrome
5	Adapter (Hot)	1	E-110114H	Plastic
	Adapter (Cold)	1	E-110114C	Plastic
6	Retainer Nut	2	E-016002CP	Chrome
7	Cartridge	2	G-50743N	Plastic
8	Packing Ring	2	E-200013	Plastic
9	Seat	2	E-101000N	Rubber
10	Spring	2	E-005000	Metal
11	Cover Plate	1	E-007034CP	Chrome
12	Valve Body	1	G-04474N-13	Brass
13	Aerator	1	E-500219NCP	Chrome
14	Gasket	1	E-011038	Plastic
15	Thumb Nut	2	E-009007	Plastic
16	Connector Nuts	2	E-009016	Brass
17	Bottom Plate	1	E-223007CP	Chrome
18	Screw	2	E-008017CP	Chrome
19	Allen Key	1	E-031000	Metal
20	Drain Kit (see "Drains" for parts)	1	EA-505039CP	Chrome

* Grayed parts are not available individually. "Assembled" item required.

by Associated Marketing Concepts
21624 Marilla Street, Chatsworth, CA 91311-4123
(800) 270-4262 * (818) 678-1651 * FAX (818) 678-1655
www.ambassador-amc.com