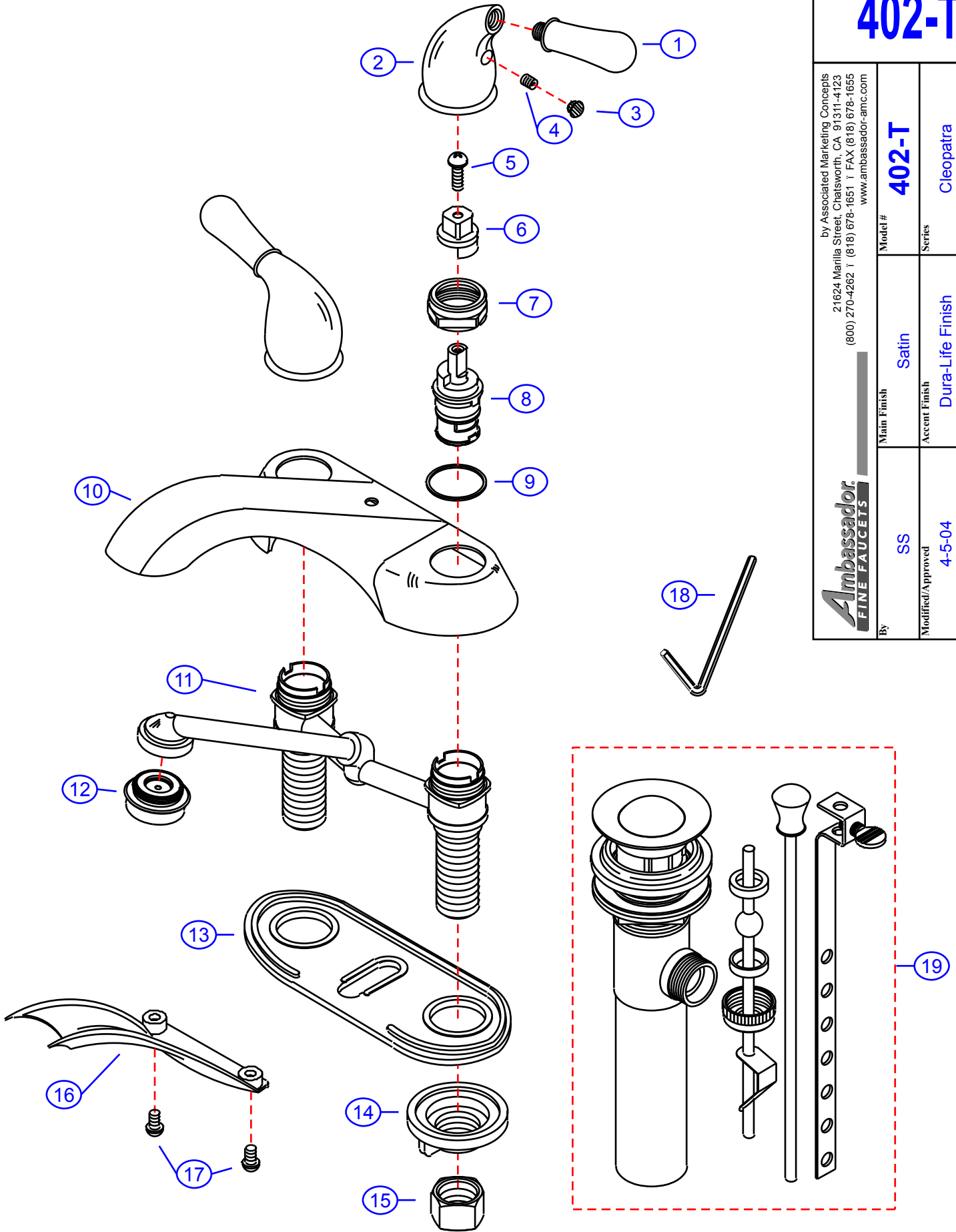


402-T

by Associated Marketing Concepts
 21624 Marilla Street, Chatsworth, CA 91311-4123
 (800) 270-4262 | (818) 678-1651 | FAX (818) 678-1655
 www.ambassador-amc.com

Ambassador
 FINE FAUCETS

| | | | | | |
|-------------------|------------|---------------|------------------|---------|--------------------|
| By | SS | Main Finish | Satin | Model # | 402-T |
| Modified/Approved | 4-5-04 | Accent Finish | Dura-Life Finish | Series | Cleopatra |
| Fulfillment | F40C5200SY | Valve | Ceramic Disk | Type | 4" Center Set Lav. |



402-T



Cleopatra 4" Center Set Lav- CD/SY

| # | Description | Quantity | Part # | Finish |
|----|------------------------------------|----------|-------------|------------------------|
| 1 | Handle Tip | 2 | E-108041YP | Dura-Life Finish |
| 2 | Handle Canopy | 2 | E-018052ST | Satin |
| 3 | Red Plug | 1 | E-028046H | Rubber |
| | Blue Plug | 1 | E-028046C | Rubber |
| 4 | Set Screw | 2 | E-008003 | Metal |
| 5 | Screw | 2 | E-008044CP | Chrome |
| 6 | Adapter (Hot) | 1 | E-110114H | Plastic |
| | Adapter (Cold) | 1 | E-110114C | Plastic |
| 7 | Retainer Nut | 2 | E-016002CP | Chrome |
| 8 | Cartridge (Hot) | 1 | E-507003NH | Ceramic Disk |
| | Cartridge (Cold) | 1 | E-507003NC | Ceramic Disk |
| 9 | Packing Ring | 2 | E-200013 | Plastic |
| 10 | Cover Plate | 1 | E-007034ST | Satin |
| 11 | Valve Body | 1 | E-044281N | Brass |
| 12 | Aerator | 1 | E-500219NYP | Dura-Life Finish |
| 13 | Gasket | 1 | E-011038 | Plastic |
| 14 | Thumb Nut | 2 | E-009007 | Plastic |
| 15 | Connector Nuts | 2 | E-009016 | Brass |
| 16 | Bottom Plate | 1 | E-223007ST | Satin |
| 17 | Screw | 2 | E-008017CP | Chrome |
| 18 | Allen Key | 1 | E-031000 | Metal |
| 19 | Drain Kit (see "Drains" for parts) | 1 | EA-505039SY | Satin/Dura-Life Finish |

* Grayed parts are not available individually. "Assembled" item required.

by Associated Marketing Concepts
21624 Marilla Street, Chatsworth, CA 91311-4123
(800) 270-4262 * (818) 678-1651 * FAX (818) 678-1655
www.ambassador-amc.com