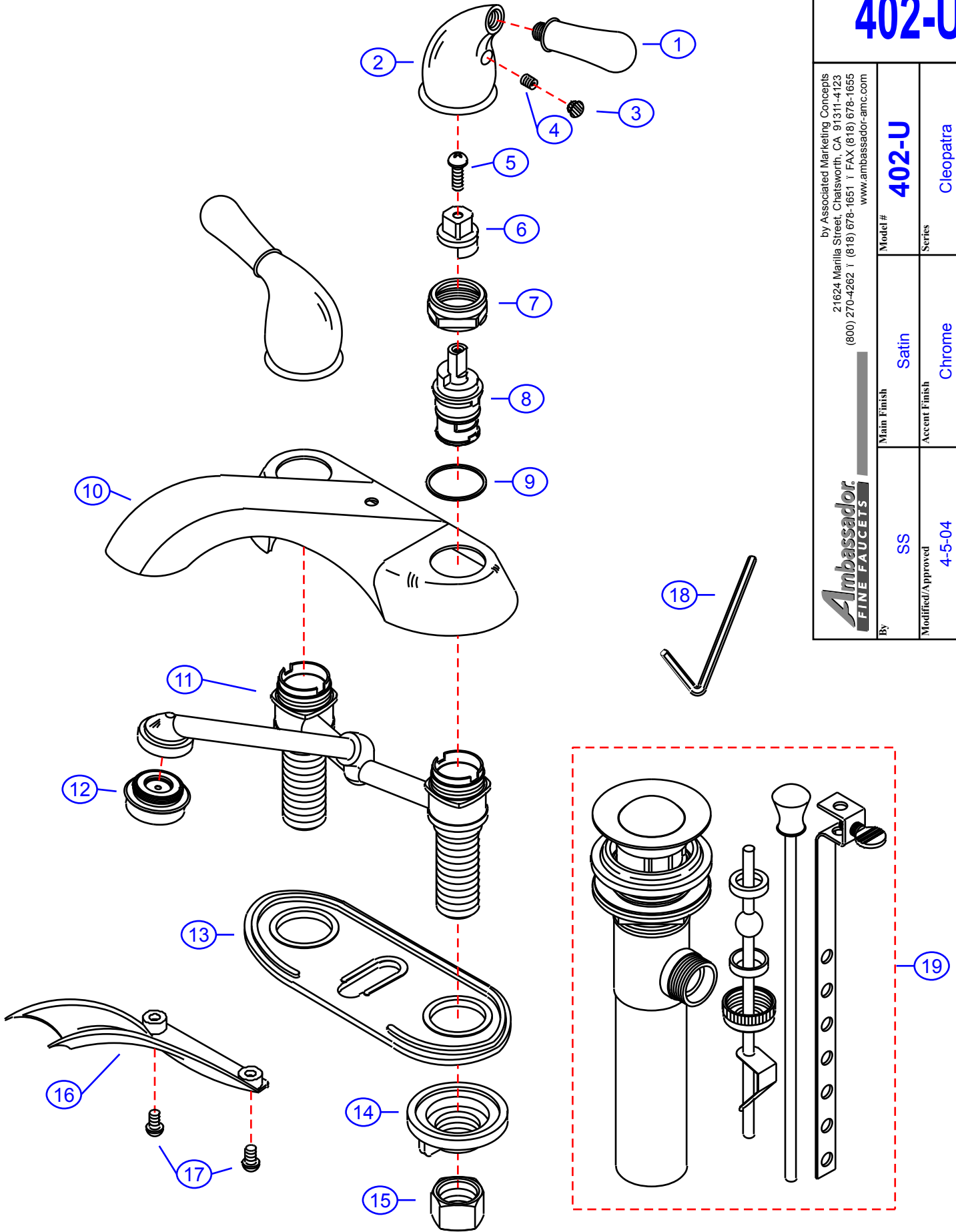


402-U

by Associated Marketing Concepts
 21624 Marilla Street, Chatsworth, CA 91311-4123
 (800) 270-4262 | (818) 678-1651 | FAX (818) 678-1655
 www.ambassador-amc.com

Ambassador
 FINE FAUCETS

By	SS	Main Finish	Satin	Model #	402-U
Modified/Approved	4-5-04	Accent Finish	Chrome	Series	Cleopatra
Fulfillment	F40C5200SC	Valve	Ceramic Disk	Type	4" Center Set Lav.



402-U



Cleopatra 4" Center Set Lav- CD/SC

#	Description	Quantity	Part #	Finish
1	Handle Tip	2	E-108041CP	Chrome
2	Handle Canopy	2	E-018052ST	Satin
3	Red Plug	1	E-028046H	Rubber
	Blue Plug	1	E-028046C	Rubber
4	Set Screw	2	E-008003	Metal
5	Screw	2	E-008044CP	Chrome
6	Adapter (Hot)	1	E-110114H	Plastic
	Adapter (Cold)	1	E-110114C	Plastic
7	Retainer Nut	2	E-016002CP	Chrome
8	Cartridge (Hot)	1	E-507003NH	Ceramic Disk
	Cartridge (Cold)	1	E-507003NC	Ceramic Disk
9	Packing Ring	2	E-200013	Plastic
10	Cover Plate	1	E-007034ST	Satin
11	Valve Body	1	E-044281N	Brass
12	Aerator	1	E-500219NCP	Chrome
13	Gasket	1	E-011038	Plastic
14	Thumb Nut	2	E-009007	Plastic
15	Connector Nuts	2	E-009016	Brass
16	Bottom Plate	1	E-223007ST	Satin
17	Screw	2	E-008017CP	Chrome
18	Allen Key	1	E-031000	Metal
19	Drain Kit (see "Drains" for parts)	1	EA-505039SC	Satin/Chrome

* Grayed parts are not available individually. "Assembled" item required.

by Associated Marketing Concepts
21624 Marilla Street, Chatsworth, CA 91311-4123
(800) 270-4262 * (818) 678-1651 * FAX (818) 678-1655
www.ambassador-amc.com