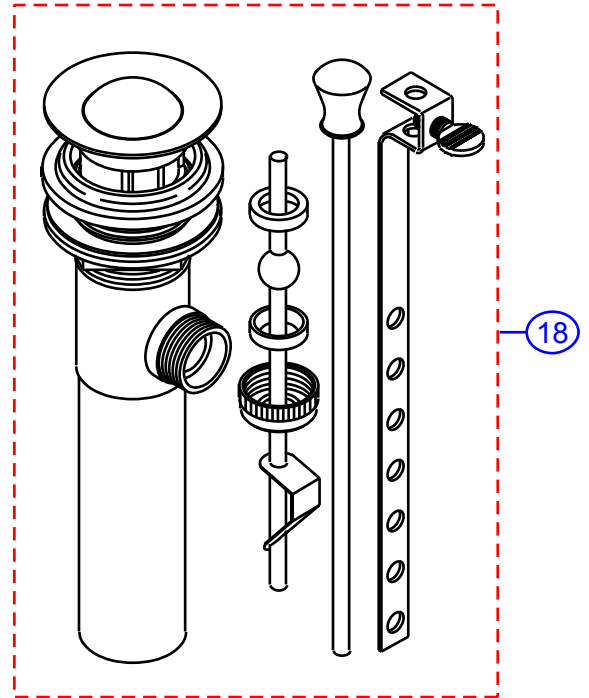
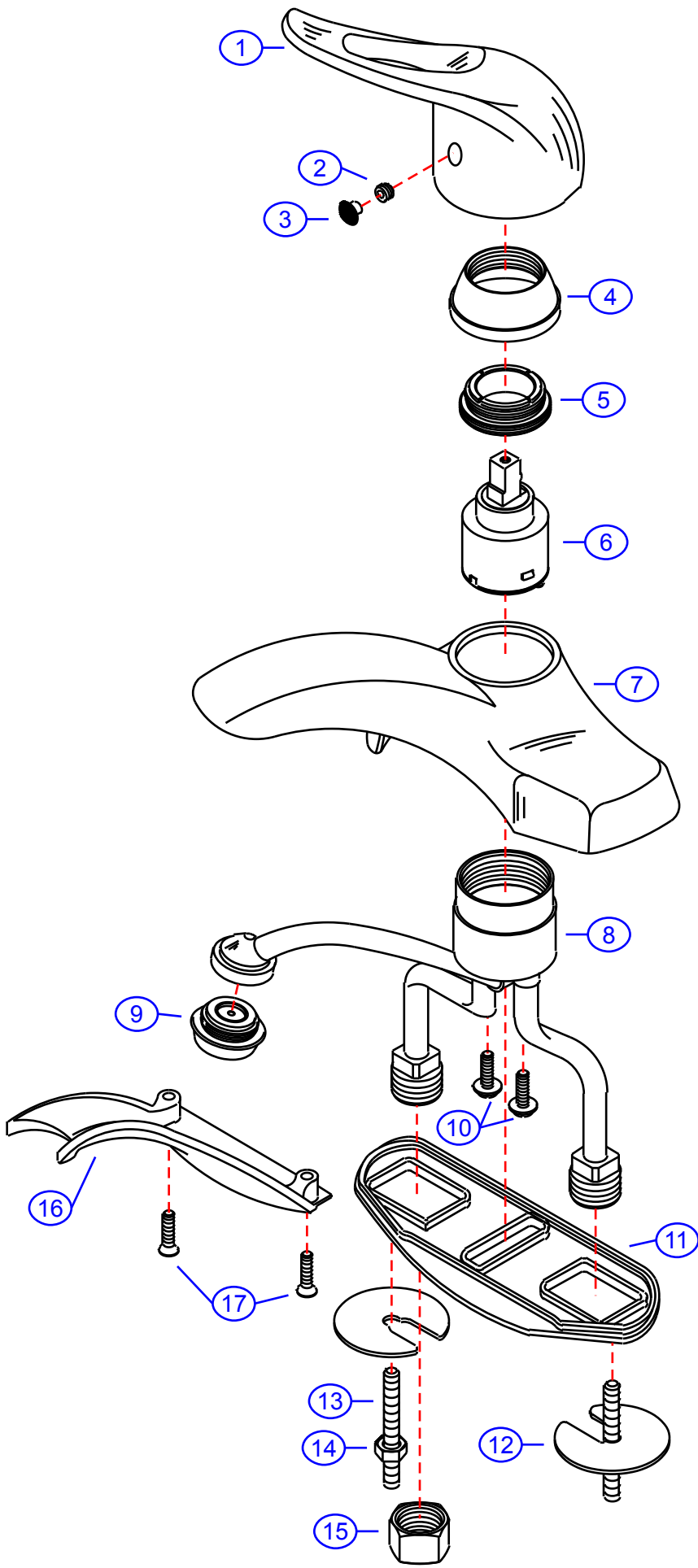


702-J

by Associated Marketing Concepts
 21624 Marilla Street, Chatsworth, CA 91311-4123
 (800) 270-4262 | (818) 678-1651 | FAX (818) 678-1655
 www.ambassador-amc.com



By	SS	Main Finish	Chrome	Model #	702-J
Modified/Approved	1-14-04	Accent Finish	None	Series	Loop Lever
Fulfillment	F41B4212CP	Valve	Ceramic Disk	Type	4" Center Set Lav.



702-J



Loop Lever 4" Center Set Lav- CD/CP

#	Description	Quantity	Part #	Finish
1	Handle	1	E-029081CP	Chrome
2	Set Screw	1	E-008003	Metal
3	Red/Blue Plug	1	E-028065	Rubber
4	Cap	1	E-103021CP	Chrome
5	Retainer Ring	1	E-104002	Brass
6	Cartridge	1	E-507048N	Ceramic Disk
7	Cover Plate	1	E-007038CP	Chrome
8	Valve Body	1	E-005006N	Brass
9	Aerator	1	E-500219CP	Chrome
10	Screw	2	E-008043CP	Chrome
11	Gasket	1	E-011048	Plastic
12	Metal Washer	2	E-013010NI	Metal
13	Mounting Rod	2	E-017000ZN	Metal
14	Mounting Nut	2	E-009004ZN	Metal
15	Connector Nuts	2	E-009016	Brass
16	Bottom Plate	1	E-223009CP	Chrome
17	Screw	2	E-008092	Metal
18	Drain Kit (see "Drains" for parts)	1	EA-505039CP	Chrome

* Grayed parts are not available individually. "Assembled" item required.

by Associated Marketing Concepts
21624 Marilla Street, Chatsworth, CA 91311-4123
(800) 270-4262 * (818) 678-1651 * FAX (818) 678-1655
www.ambassador-amc.com