

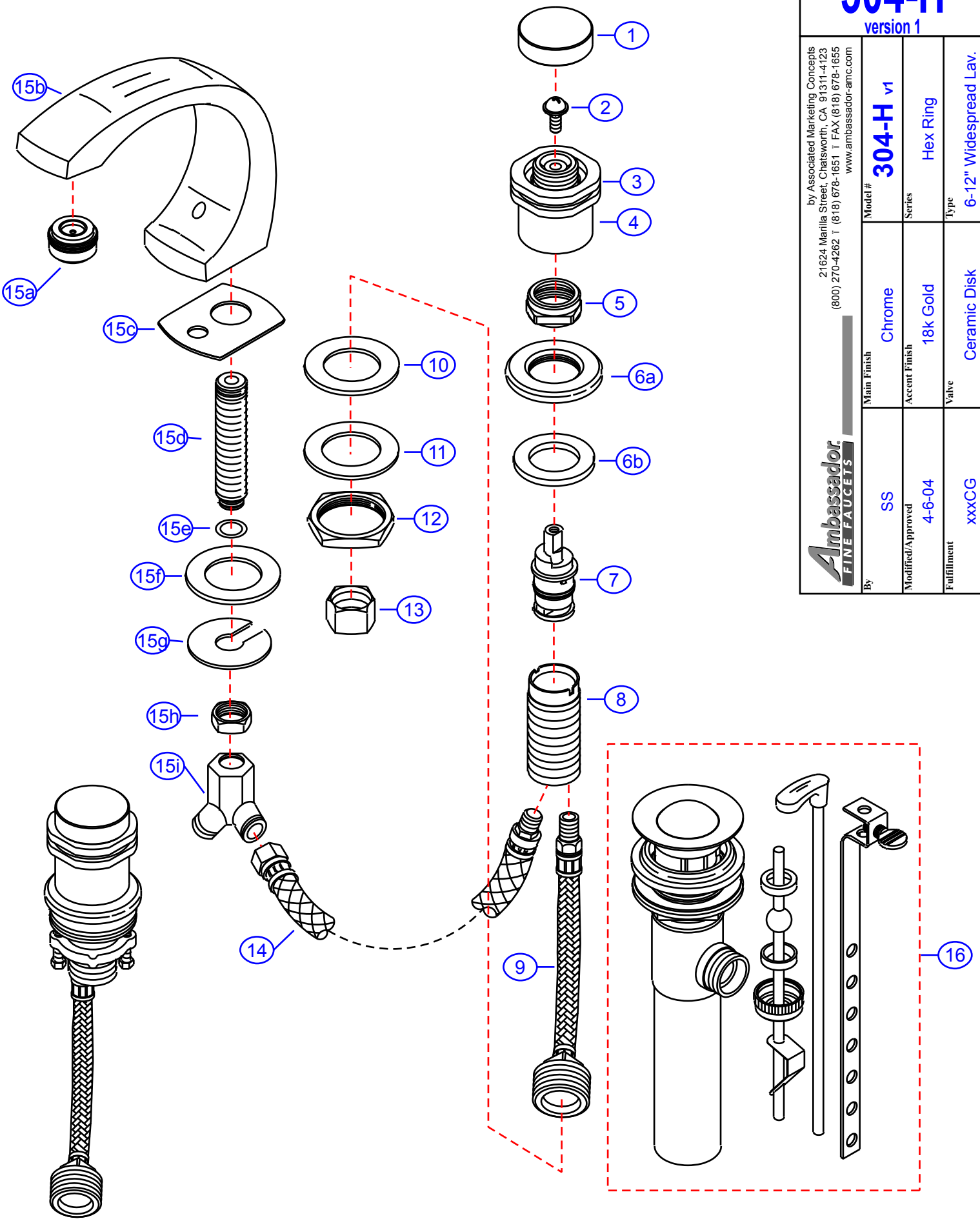
304-H

version 1

by Associated Marketing Concepts
 21624 Marilla Street, Chatsworth, CA 91311-4123
 (800) 270-4262 | (818) 678-1651 | FAX (818) 678-1655
 www.ambassador-amc.com

Ambassador
 FINE FAUCETS

By	SS	Chrome	Model #	304-H v1
Modified/Approved	4-6-04	18k Gold	Series	Hex Ring
Fulfillment	xxxCG	Ceramic Disk	Type	6-12" Widespread Lav.



304-H v1



Hex Ring 6-12" Widespread Lav- CD/CG

#	Description	Quantity	Part #	Finish
1	Cap	2	E-206002CP	Chrome
2	Screw	2	E-008000	Metal
3	Trim Ring	2	E-218005GP	Gold
4	Handle Canopy	2	E-215003HCP	Chrome
5	Retainer Nut	2	E-016002CP	Chrome
6	Escutcheon (Assembled)	2	EA-663201GP	Gold
6a	Escutcheon	2	E-204000GP*	Gold
6b	Gasket	2	E-010020	Rubber
7	Cartridge	2	E-507003NH	Ceramic Disc
8	Valve Body	2	G-xxxx	Brass
9	Inlet Hose (Hot)	1	G-xxxx	Hose
	Inlet Hose (Cold)	1	G-xxxx	Hose
10	Rubber Washer	2	E-010017	Rubber
11	Metal Washer	2	E-013018NI	Metal
12	Lock Nut	2	G-xxxx	Brass
13	Connector Nuts	2	E-009016	Brass
14	Hose	2	E-105007N	Hose
15	Spout (Assembled)	1	EA-666506CG	Chrome/Gold
15a	Aerator	1	E-500013NGP	Gold
15b	Spout	1	E-132079NCP*	Chrome
15c	Gasket	1	E-060092	Foam
15d	Shank	1	E-014011N*	Brass
15e	O-Ring	1	E-004026N	Rubber
15f	Rubber Spout Washer	1	E-010017	Rubber
15g	Metal Spout Washer	1	E-013006NI	Metal
15h	Spout Nut	1	E-009015	Brass
15i	"Y" Connector	1	E-015004N	Brass
16	Drain Kit (see "Drains" for parts)	1	EA-505006CG	Chrome/Gold

* Grayed parts are not available individually. "Assembled" item required.

by Associated Marketing Concepts
21624 Marilla Street, Chatsworth, CA 91311-4123
(800) 270-4262 * (818) 678-1651 * FAX (818) 678-1655
www.ambassador-amc.com