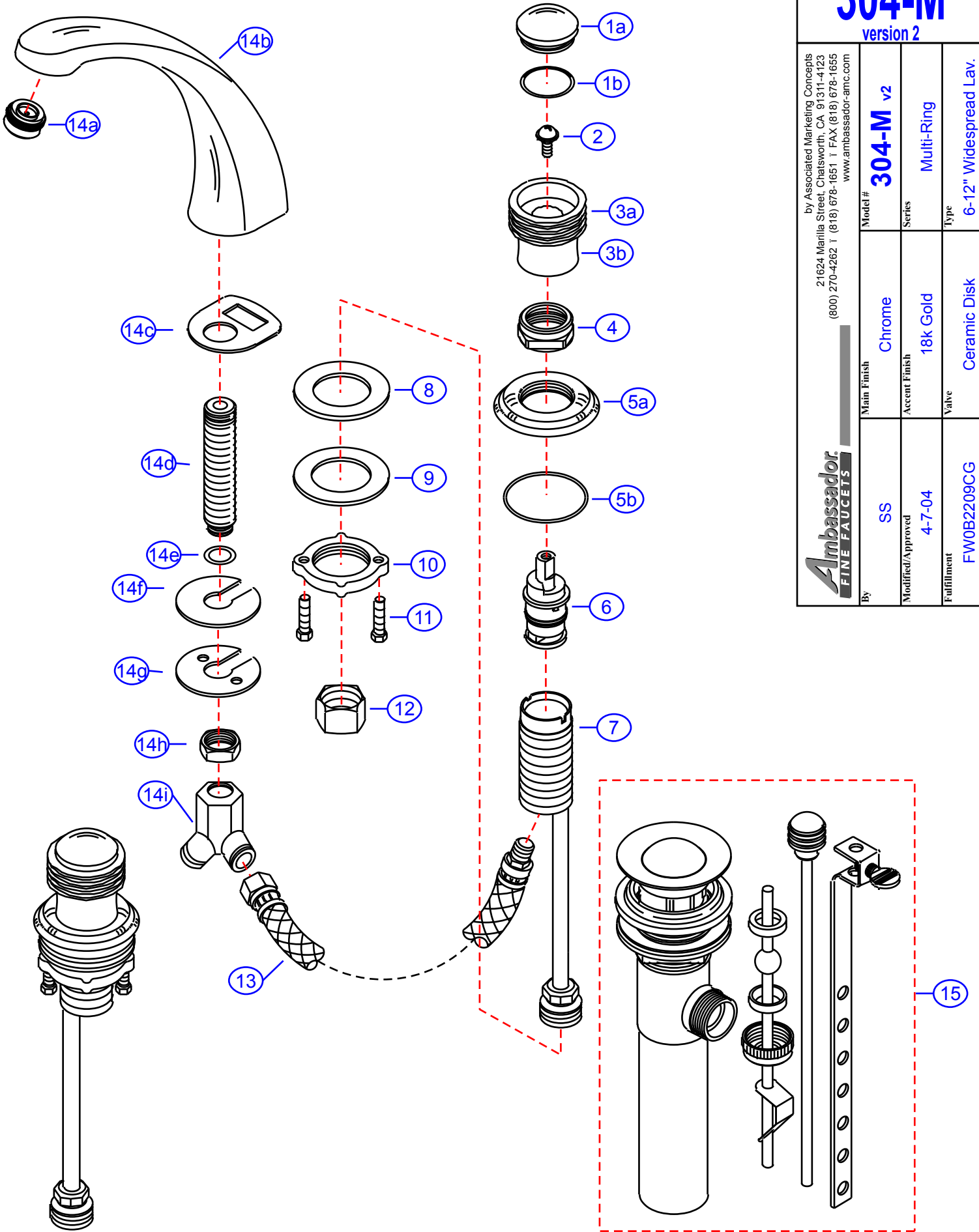


304-M

version 2

by Associated Marketing Concepts
 21624 Marilla Street, Chatsworth, CA 91311-4123
 (800) 270-4262 | (818) 678-1651 | FAX (818) 678-1655
 www.ambassador-amc.com

By	SS	Chrome	Model #	304-M v2
Modified/Approved	4-7-04	18k Gold	Series	Multi-Ring
Fulfillment	FW0B2209CG	Ceramic Disk	Type	6-12" Widespread Lav.



304-M v2



Multi-Ring 6-12" Widespread Lav- CD/CG

#	Description	Quantity	Part #	Finish
1	Cap w/O-Ring	2	EA-663406CP	Chrome
1a	Cap	2	E-206012CP*	Chrome
1b	O-Ring	2	E-004024	Rubber
2	Screw	2	E-008000	Metal
3	Multi-Ring Widespread Handle	2	EA-667336CG	Chrome/Gold
3a	Trim Ring	2	E-218003GP*	Gold
3b	Handle Canopy	2	E-215006HCP*	Chrome
4	Retainer Nut	2	E-016002CP	Chrome
5	Escutcheon (Assembled)	2	EA-663456GP	Gold
5a	Escutcheon	2	E-204004GP*	Gold
5b	O-Ring	2	E-004045	Rubber
6	Cartridge	2	E-507003NH	Ceramic Disc
7	Valve Body	2	E-002027N	Brass
8	Rubber Washer	2	E-010017	Rubber
9	Metal Washer	2	E-013018NI	Metal
10	Lock Nut	2	E-009012	Brass
11	Screw	4	E-008045	Metal
12	Connector Nuts	2	E-009016	Brass
13	Hose	2	E-105007N	Hose
14	Spout (Assembled)	1	EA-666405CG	Chrome/Gold
14a	Aerator	1	E-500013NGP	Gold
14b	Spout	1	E-100033NCP*	Chrome
14c	Gasket	1	E-013017	Foam
14d	Shank	1	E-014011N*	Brass
14e	O-Ring	1	E-004026N	Rubber
14f	Rubber Spout Washer	1	E-058094	Rubber
14g	Metal Spout Washer	1	E-013006NI	Metal
14h	Spout Nut	1	E-009015	Brass
14i	"Y" Connector	1	E-015004N	Brass
15	Drain Kit (see "Drains" for parts)	1	EA-505005CGL	Chrome/Gold

* Grayed parts are not available individually. "Assembled" item required.

by Associated Marketing Concepts
21624 Marilla Street, Chatsworth, CA 91311-4123
(800) 270-4262 * (818) 678-1651 * FAX (818) 678-1655
www.ambassador-amc.com