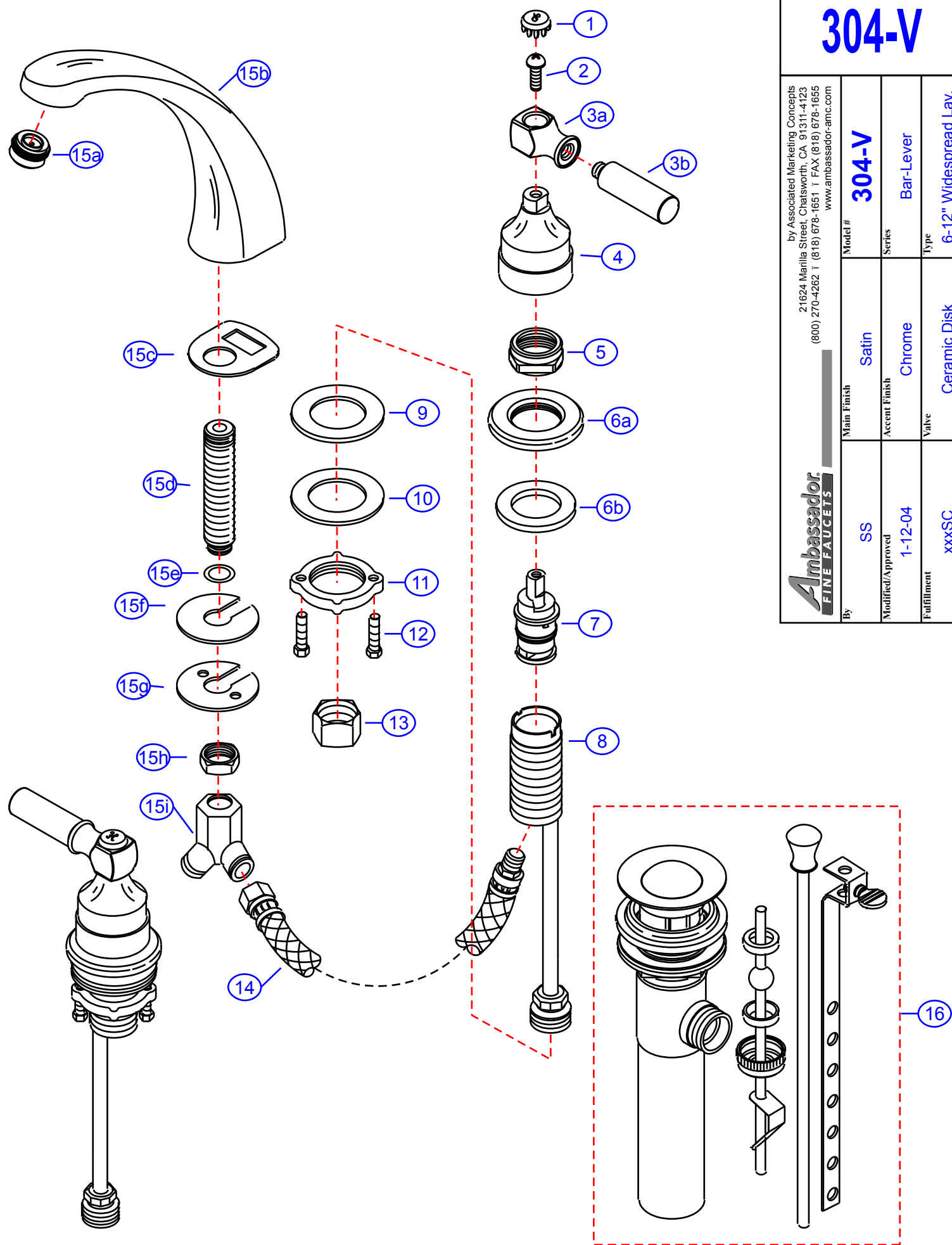


304-V

by Associated Marketing Concepts
 21624 Manilla Street, Chatsworth, CA 91311-4123
 (800) 270-4262 | (818) 678-1651 | FAX (818) 678-1655
 www.ambassador-amc.com



| | | | | | |
|-------------------|---------|---------------|--------------|---------|-----------------------|
| By | SS | Main Finish | Satin | Model # | 304-V |
| Modified/Approved | 1-12-04 | Accent Finish | Chrome | Series | Bar-Lever |
| Fulfillment | xxxSC | Valve | Ceramic Disk | Type | 6-12" Widespread Lav. |



304-V



Bar-Lever 6-12" Widespread Lav- CD/SC

| # | Description | Quantity | Part # | Finish |
|-----|------------------------------------|----------|--------------|--------------|
| 1 | Cap "H" | 1 | E-206041HST | Satin |
| | Cap "C" | 1 | E-206041CST | Satin |
| 2 | Handle Screw | 2 | E-008037CP | Metal |
| 3 | Handle | 2 | EA-662048CP | Chrome |
| 3a | Handle Head | 2 | E-107047CP* | Chrome |
| 3b | Handle Tip | 2 | E-552030CP* | Chrome |
| 4 | Handle Canopy (Hot) | 1 | E-018027HST | Satin |
| | Handle Canopy (Cold) | 1 | E-018027CST | Satin |
| 5 | Retainer Nut | 2 | E-016002CP | Chrome |
| 6 | Escutcheon (Assembled) | 2 | EA-663201CP | Chrome |
| 6a | Escutcheon | 2 | E-204000CP* | Chrome |
| 6b | Gasket | 2 | E-010020 | Rubber |
| 7 | Cartridge (Hot) | 1 | E-507003NH | Ceramic Disc |
| | Cartridge (Cold) | 1 | E-507003NC | Ceramic Disc |
| 8 | Valve Body | 2 | E-002027N | Brass |
| 9 | Rubber Washer | 2 | E-010017 | Rubber |
| 10 | Metal Washer | 2 | E-013018NI | Metal |
| 11 | Lock Nut | 2 | E-009012 | Brass |
| 12 | Screw | 4 | E-008045 | Metal |
| 13 | Connector Nuts | 2 | E-009016 | Brass |
| 14 | Hose | 2 | E-105007N | Hose |
| 15 | Spout (Assembled) | 1 | EA-666405SC | Satin/Chrome |
| 15a | Aerator | 1 | E-500013NCP | Chrome |
| 15b | Spout | 1 | E-100033NST* | Satin |
| 15c | Gasket | 1 | E-013017 | Foam |
| 15d | Shank | 1 | E-014011N* | Brass |
| 15e | O-Ring | 1 | E-004026N | Rubber |
| 15f | Rubber Spout Washer | 1 | E-058094 | Rubber |
| 15g | Metal Spout Washer | 1 | E-013006NI | Metal |
| 15h | Spout Nut | 1 | E-009015 | Brass |
| 15i | "Y" Connector | 1 | E-015004N | Brass |
| 16 | Drain Kit (see "Drains" for parts) | 1 | EA-505039SCL | Satin/Chrome |

* Grayed parts are not available individually. "Assembled" item required.

by Associated Marketing Concepts
 21624 Marilla Street, Chatsworth, CA 91311-4123
 (800) 270-4262 * (818) 678-1651 * FAX (818) 678-1655
www.ambassador-amc.com