

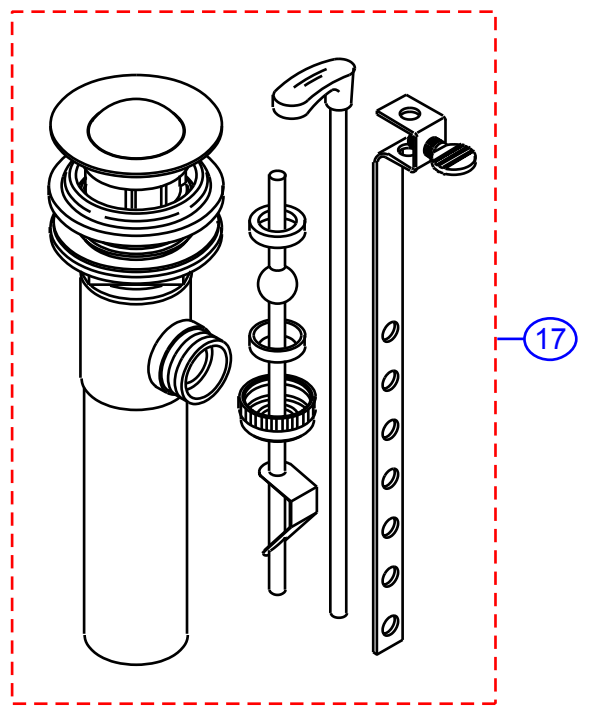
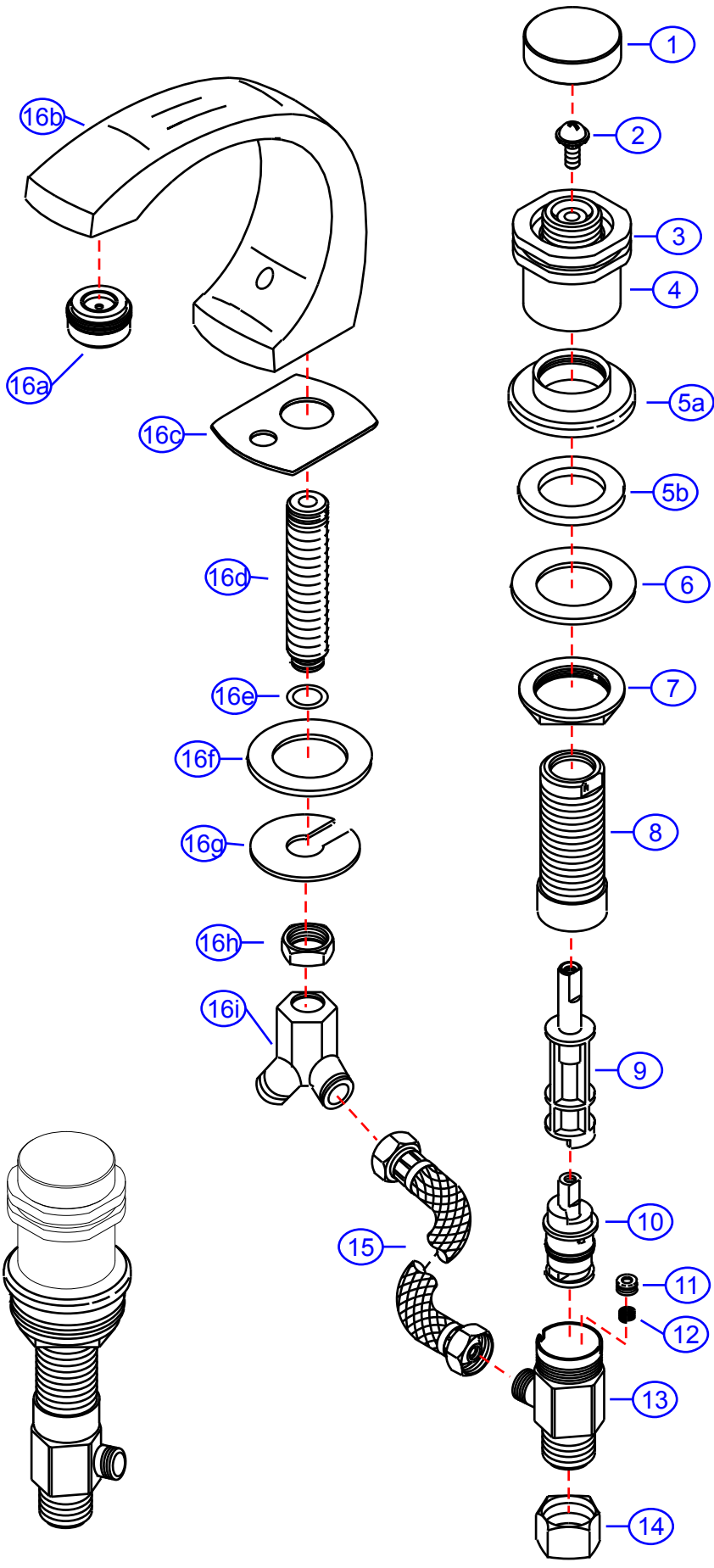
# 317-1025

version 2

by Associated Marketing Concepts  
 21624 Marilla Street, Chatsworth, CA 91311-4123  
 (800) 270-4262 • (818) 678-1651 • FAX (818) 678-1655  
 www.ambassador-amc.com



By	SS	Chrome	Model #	<b>317-1025 v2</b>
Modified/Approved	4-7-04	18k Gold	Series	Hex Ring
Fulfillment	xxxCG	Standard (Washerless)	Type	6-12" Widespread Lav.



# 317-1025 v2



## Hex Ring 6-12" Widespread Lav- Std/CG

#	Description	Quantity	Part #	Finish
1	Cap	2	E-206002CP	Chrome
2	Screw	2	E-008000	Metal
3	Trim Ring	2	E-218005GP	Gold
4	Handle Canopy	2	E-215003HCP	Chrome
5	Escutcheon (Assembled)	2	G-AxxxxGP	Gold
5a	Escutcheon	2	G-xxxxGP*	Gold
5b	Gasket	2	G-xxxx	Rubber
6	Washer	2	G-xxxx	Plastic
7	Lock Nut	2	G-xxxx	Brass
8	Retainer Nut	2	G-xxxx	Brass
9	Stem Extention	2	G-10003H	Plastic/Brass
10	Cartridge	2	E-507006N	Plastic/Brass
11	Seat	2	E-101000N	Rubber
12	Spring	2	E-005000	Metal
13	Body	2	G-xxxx	Brass
14	Connector Nuts	2	E-009016	Brass
15	Hose	2	G-xxxx	Hose
16	Spout (Assembled)	1	EA-666506CG	Chrome/Gold
16a	Aerator	1	E-500013NGP	Gold
16b	Spout	1	E-132079NCP*	Chrome
16c	Gasket	1	E-060092	Foam
16d	Shank	1	E-014011N*	Brass
16e	O-Ring	1	E-004026N	Rubber
16f	Rubber Spout Washer	1	E-010017	Rubber
16g	Metal Spout Washer	1	E-013006NI	Metal
16h	Spout Nut	1	E-009015	Brass
16i	"Y" Connector	1	E-015004N	Brass
17	Drain Kit (see "Drains" for parts)	1	EA-505006CG	Chrome/Gold

\* Grayed parts are not available individually. "Assembled" item required.

by Associated Marketing Concepts  
 21624 Marilla Street, Chatsworth, CA 91311-4123  
 (800) 270-4262 \* (818) 678-1651 \* FAX (818) 678-1655  
 www.ambassador-amc.com