

# 317-1037

version 2

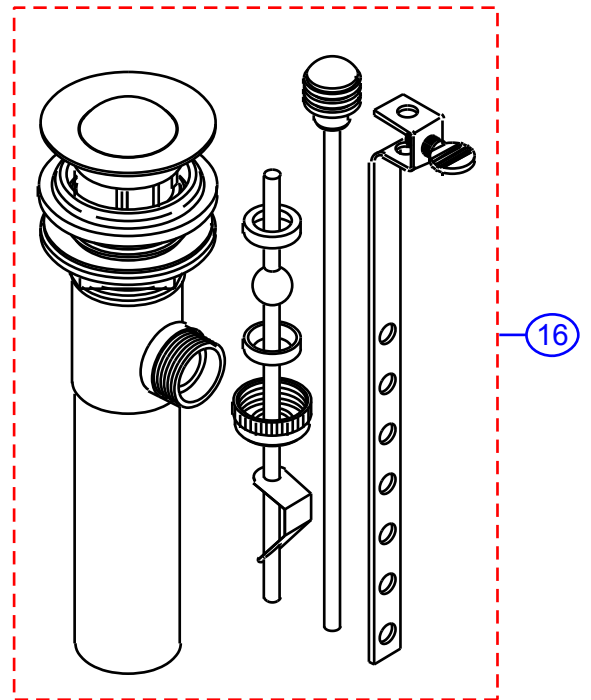
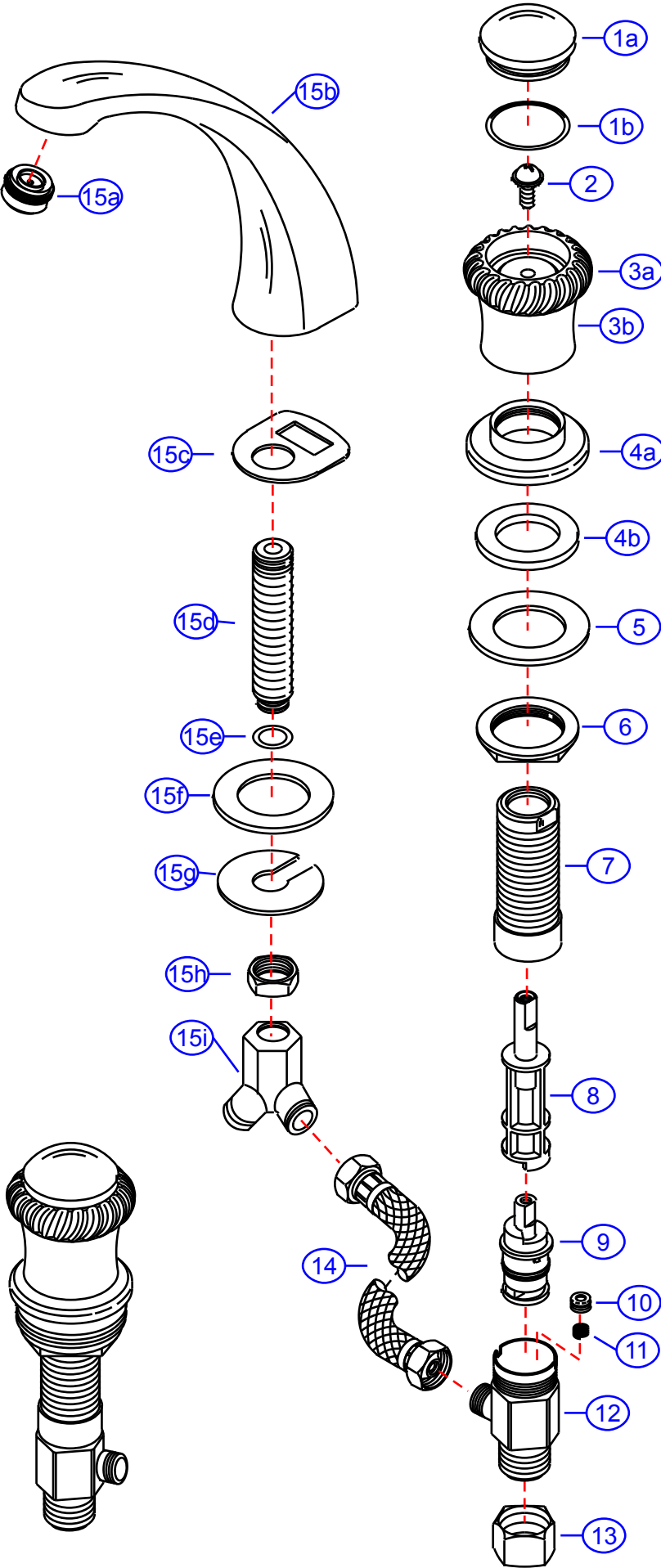
by Associated Marketing Concepts  
21624 Marilla Street, Chatsworth, CA 91311-4123  
(800) 270-4262 | (818) 678-1651 | FAX (818) 678-1655  
www.ambassador-amc.com

**Ambassador**  
FINE FAUCETS

Model # **317-1037 v2**  
Series  
Type

Main Finish **Chrome**  
Accent Finish **18k Gold**  
Valve **Standard (Washerless)**

By **SS**  
Modified/Approved **4-8-04**  
Fulfillment **xxxCG**



# 317-1037 v2



## Rope Ring 6-12" Widespread Lav- Std/CG

#	Description	Quantity	Part #	Finish
1	Cap w/O-Ring	2	EA-663194CP	Chrome
1a	Cap	2	E-206049CP*	Chrome
1b	O-Ring	2	E-004053	Rubber
2	Screw	2	E-008000	Metal
3	Rope Ring Widespread Handle	2	EA-667337CG	Chrome/Gold
3a	Trim Ring	2	E-218010GP*	Gold
3b	Handle Canopy	2	E-215006HCP*	Chrome
4	Escutcheon (Assembled)	2	G-AxxxGP	Gold
4a	Escutcheon	2	G-xxxxGP*	Gold
4b	Gasket	2	G-xxxx	Rubber
5	Washer	2	G-xxxx	Plastic
6	Lock Nut	2	G-xxxx	Brass
7	Retainer Nut	2	G-xxxx	Brass
8	Stem Extention	2	G-10003H	Plastic/Brass
9	Cartridge	2	E-507006N	Plastic/Brass
10	Seat	2	E-101000N	Rubber
11	Spring	2	E-005000	Metal
12	Body	2	G-xxxx	Brass
13	Connector Nuts	2	E-009016	Brass
14	Hose	2	G-xxxx	Hose
15	Spout (Assembled)	1	EA-666405CG	Chrome/Gold
15a	Aerator	1	E-500013NGP	Gold
15b	Spout	1	E-100033NCP*	Chrome
15c	Gasket	1	E-013017	Foam
15d	Shank	1	E-014011N*	Brass
15e	O-Ring	1	E-004026N	Rubber
15f	Rubber Spout Washer	1	E-010017	Rubber
15g	Metal Spout Washer	1	E-013006NI	Metal
15h	Spout Nut	1	E-009015	Brass
15i	"Y" Connector	1	E-015004N	Brass
16	Drain Kit (see "Drains" for parts)	1	EA-505005CGL	Chrome/Gold

\* Grayed parts are not available individually. "Assembled" item required.

by Associated Marketing Concepts  
 21624 Marilla Street, Chatsworth, CA 91311-4123  
 (800) 270-4262 \* (818) 678-1651 \* FAX (818) 678-1655  
 www.ambassador-amc.com