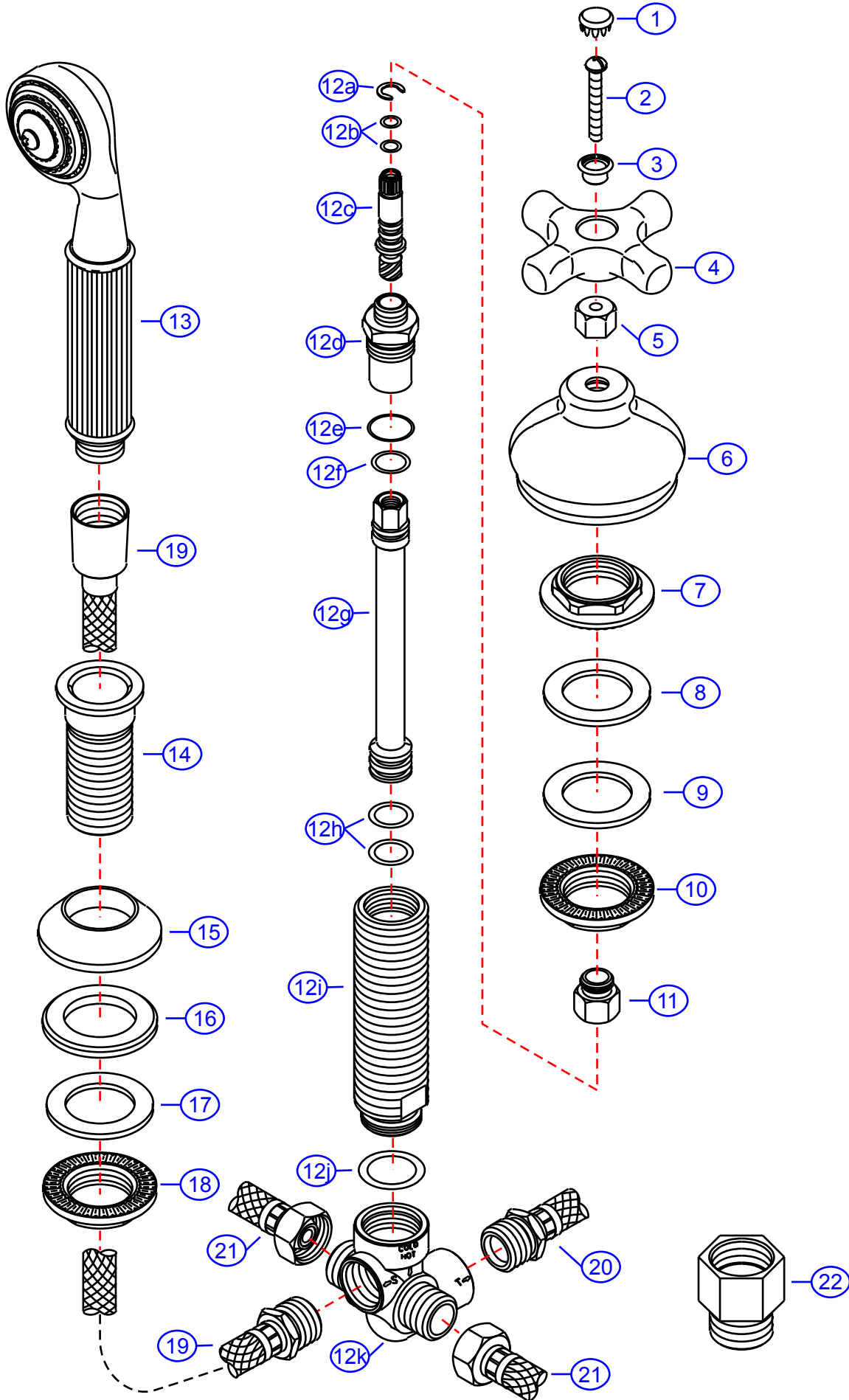


110-X

version 3

by Associated Marketing Concepts
 21624 Marilla Street, Chatsworth, CA 91311-4123
 (800) 270-4262 | (818) 678-1651 | FAX (818) 678-1655
 www.ambassador-amc.com

| | | | | | |
|-------------------|-----------|---------------|-----------------|---------|------------------------|
| By | SS | Main Finish | 18k Gold | Model # | 110-X v3 |
| Modified/Approved | 7-8-04 | Accent Finish | White Porcelain | Series | Cross Handle |
| Fulfillment | A663570GW | Valve | NA | Type | Roman Hand Sprayer Kit |



110-X v3



Cross Handle Roman Hand Sprayer Kit- GP

| # | Description | Quantity | Part # | Finish |
|-----|----------------------------|----------|--------------|-----------|
| 1 | Cap "Blank" | 1 | E-206041GP | Gold |
| 2 | Handle Screw | 1 | E-008038CP | Chrome |
| 3 | Screw Housing | 1 | E-309000GP | Gold |
| 4 | Handle (Cross) | 1 | E-108025WH | Porcelain |
| 5 | Stem Adapter | 1 | E-230006 | Brass |
| 6 | Canopy | 1 | E-018081GP | Gold |
| 7 | Lock Nut | 1 | E-054026 | Brass |
| 8 | Rubber Washer | 1 | E-010022 | Rubber |
| 9 | Rubber Washer | 1 | E-010022 | Rubber |
| 10 | Lock Nut | 1 | E-054026 | Brass |
| 11 | Adapter | 1 | E-057056 | Brass |
| 12 | Diverter Valve (Assembled) | 1 | EA-501122CP | Chrome |
| 12a | "C" Clip | 1 | E-012014* | Metal |
| 12b | O-Ring | 2 | E-048089* | Rubber |
| 12c | Stem | 1 | E-017060CP* | Chrome |
| 12d | Stem Body | 1 | E-034030CP* | Chrome |
| 12e | O-Ring | 1 | E-063040* | Rubber |
| 12f | O-Ring | 1 | E-048011* | Rubber |
| 12g | Plunger | 1 | E-024046* | Brass |
| 12h | O-Ring | 2 | E-048075* | Rubber |
| 12i | Valve Body | 1 | E-014062CP* | Chrome |
| 12j | O-Ring | 1 | E-048073* | Rubber |
| 12k | Hose Port | 1 | E-055042CP* | Chrome |
| 13 | Sprayer | 1 | E-S2110200GP | Gold |
| 14 | Spray Hose Sleeve | 1 | E-017007GP | Gold |
| 15 | Sleeve Holder | 1 | E-222002GP | Gold |
| 16 | Gasket | 1 | E-010020 | Rubber |
| 17 | Rubber Washer | 1 | E-010023 | Rubber |
| 18 | Lock Nut | 1 | E-054025 | Brass |
| 19 | Sprayer Hose | 1 | E-511005GP | Gold |
| 20 | Tub Spout Hose | 1 | E-105008 | Hose |
| 21 | Hose Hot/Cold | 2 | E-105037 | Hose |
| 22 | Adapter | 1 | E-039008 | Brass |

* Grayed parts are not available individually. "Assembled" item required.

by Associated Marketing Concepts
 21624 Marilla Street, Chatsworth, CA 91311-4123
 (800) 270-4262 * (818) 678-1651 * FAX (818) 678-1655
www.ambassador-amc.com