

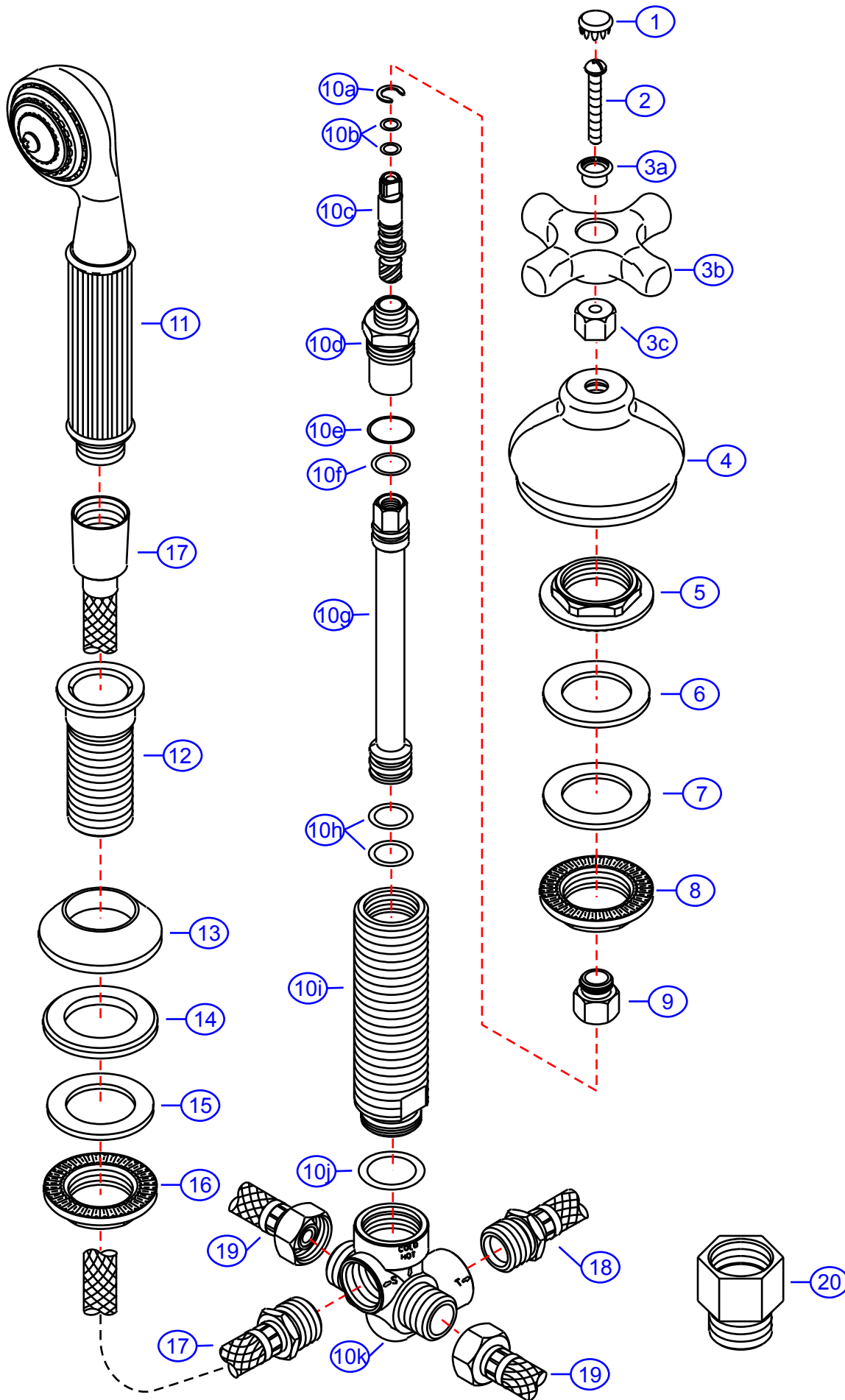
210-X

version 2

by Associated Marketing Concepts
 21624 Marilla Street, Chatsworth, CA 91311-4123
 (800) 270-4262 | (818) 678-1651 | FAX (818) 678-1655
 www.ambassador-amc.com



By	SS	Main Finish Chrome	Model # 210-X v2
Modified/Approved	7-8-04	Accent Finish White Porcelain	Series Cross Handle
Fulfillment	xxxxCW	Valve NA	Type Roman Hand Sprayer Kit



210-X v2



Cross Handle Roman Hand Sprayer Kit- CP

#	Description	Quantity	Part #	Finish
1	Cap "Blank"	1	E-206041CP	Chrome
2	Handle Screw	1	E-008038CP	Chrome
3	Handle Cross	1	G-A90129CP	Chrome
3a	Screw Housing	1	E-309000CP	Chrome
3b	Handle (Cross)	1	E-108025WH	Porcelain
3c	Stem Adapter	1	E-230001	Brass
4	Canopy	1	E-018081CP	Chrome
5	Lock Nut	1	E-054026	Brass
6	Rubber Washer	1	E-010022	Rubber
7	Rubber Washer	1	E-010022	Rubber
8	Lock Nut	1	E-054026	Brass
9	Adapter	1	E-057056	Brass
10	Diverter Valve (Assembled)	1	EA-501122CP	Chrome
10a	"C" Clip	1	E-012014*	Metal
10b	O-Ring	2	E-048089*	Rubber
10c	Stem	1	E-017060CP*	Chrome
10d	Stem Body	1	E-034030CP*	Chrome
10e	O-Ring	1	E-063040*	Rubber
10f	O-Ring	1	E-048011*	Rubber
10g	Plunger	1	E-024046*	Brass
10h	O-Ring	2	E-048075*	Rubber
10i	Valve Body	1	E-014062CP*	Chrome
10j	O-Ring	1	E-048073*	Rubber
10k	Hose Port	1	E-055042CP*	Chrome
11	Sprayer	1	E-S2110200CP	Chrome
12	Spray Hose Sleeve	1	E-017007CP	Chrome
13	Sleeve Holder	1	E-222002CP	Chrome
14	Gasket	1	E-010020	Rubber
15	Rubber Washer	1	E-010023	Rubber
16	Lock Nut	1	E-054025	Brass
17	Sprayer Hose	1	E-511005CP	Chrome
18	Tub Spout Hose	1	E-105008	Hose
19	Hose Hot/Cold	2	E-105037	Hose
20	Adapter	1	E-039008	Brass

* Grayed parts are not available individually. "Assembled" item required.

by Associated Marketing Concepts
 21624 Marilla Street, Chatsworth, CA 91311-4123
 (800) 270-4262 * (818) 678-1651 * FAX (818) 678-1655
www.ambassador-amc.com