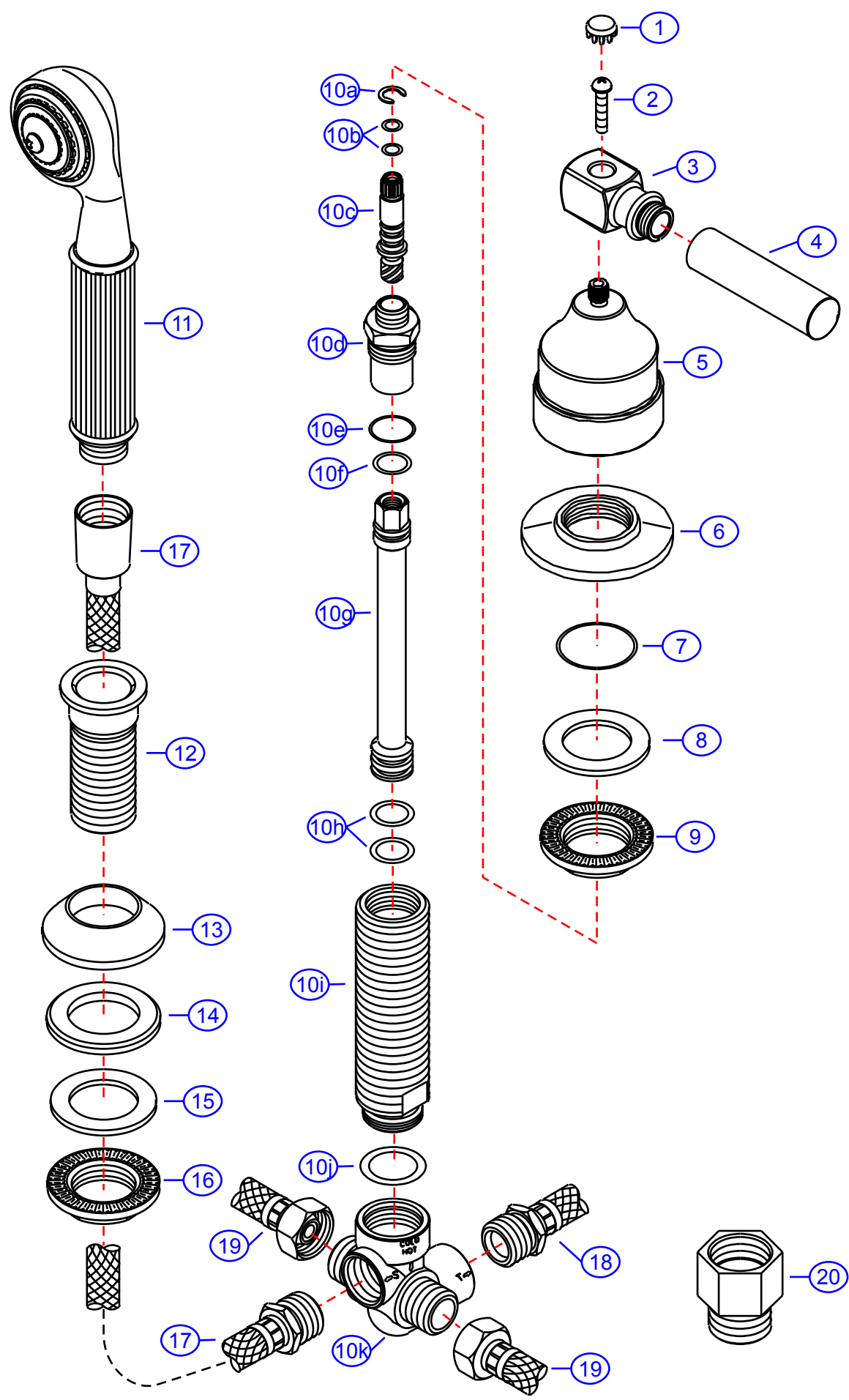


# 310-E



by Associated Marketing Concepts  
 21624 Marilla Street, Chatsworth, CA 91311-4123  
 (800) 270-4262 | (818) 678-1651 | FAX (818) 678-1655  
 www.ambassador-amc.com

**Ambassador**  
 FINE FAUCETS

|                   |           |               |                  |         |                        |
|-------------------|-----------|---------------|------------------|---------|------------------------|
| By                | SS        | Main Finish   | Brushed Nickel   | Model # | <b>310-E</b>           |
| Modified/Approved | 7-13-04   | Accent Finish | Dura-Life Finish | Series  | Bar-Lever              |
| Fulfillment       | A663092NY | Valve         | NA               | Type    | Roman Hand Sprayer Kit |

# 310-E



## Bar-Lever Roman Hand Sprayer Kit- NY

| #   | Description                | Quantity | Part #       | Finish                          |
|-----|----------------------------|----------|--------------|---------------------------------|
| 1   | Cap "Blank"                | 1        | E-206041NP   | Brushed Nickel                  |
| 2   | Handle Screw               | 1        | E-008015CP   | Chrome                          |
| 3   | Handle Head                | 1        | E-077061YP   | Dura-Life Finish                |
| 4   | Handle Tip                 | 1        | E-138005YP   | Dura-Life Finish                |
| 5   | Canopy                     | 1        | E-078055NP   | Brushed Nickel                  |
| 6   | Escutcheon                 | 1        | E-204016YP   | Dura-Life Finish                |
| 7   | O-Ring                     | 1        | E-048054     | Rubber                          |
| 8   | Rubber Washer              | 1        | E-010022     | Rubber                          |
| 9   | Lock Nut                   | 1        | E-054026     | Brass                           |
| 10  | Diverter Valve (Assembled) | 1        | EA-501122CP  | Chrome                          |
| 10a | "C" Clip                   | 1        | E-012014*    | Metal                           |
| 10b | O-Ring                     | 2        | E-048089*    | Rubber                          |
| 10c | Stem                       | 1        | E-017060CP*  | Chrome                          |
| 10d | Stem Body                  | 1        | E-034030CP*  | Chrome                          |
| 10e | O-Ring                     | 1        | E-063040*    | Rubber                          |
| 10f | O-Ring                     | 1        | E-048011*    | Rubber                          |
| 10g | Plunger                    | 1        | E-024046*    | Brass                           |
| 10h | O-Ring                     | 2        | E-048075*    | Rubber                          |
| 10i | Valve Body                 | 1        | E-014062CP*  | Chrome                          |
| 10j | O-Ring                     | 1        | E-048073*    | Rubber                          |
| 10k | Hose Port                  | 1        | E-055042CP*  | Chrome                          |
| 11  | Sprayer                    | 1        | E-S2110200NY | Brushed Nickel/Dura-Life Finish |
| 12  | Spray Hose Sleeve          | 1        | E-017007YP   | Dura-Life Finish                |
| 13  | Sleeve Holder              | 1        | E-222002NP   | Brushed Nickel                  |
| 14  | Gasket                     | 1        | E-010020     | Rubber                          |
| 15  | Rubber Washer              | 1        | E-010023     | Rubber                          |
| 16  | Lock Nut                   | 1        | E-054025     | Brass                           |
| 17  | Sprayer Hose               | 1        | E-511005NP   | Brushed Nickel                  |
| 18  | Tub Spout Hose             | 1        | E-105008     | Hose                            |
| 19  | Hose Hot/Cold              | 2        | E-105037     | Hose                            |
| 20  | Adapter                    | 1        | E-039008     | Brass                           |

\* Grayed parts are not available individually. "Assembled" item required.

by Associated Marketing Concepts  
 21624 Marilla Street, Chatsworth, CA 91311-4123  
 (800) 270-4262 \* (818) 678-1651 \* FAX (818) 678-1655  
[www.ambassador-amc.com](http://www.ambassador-amc.com)