

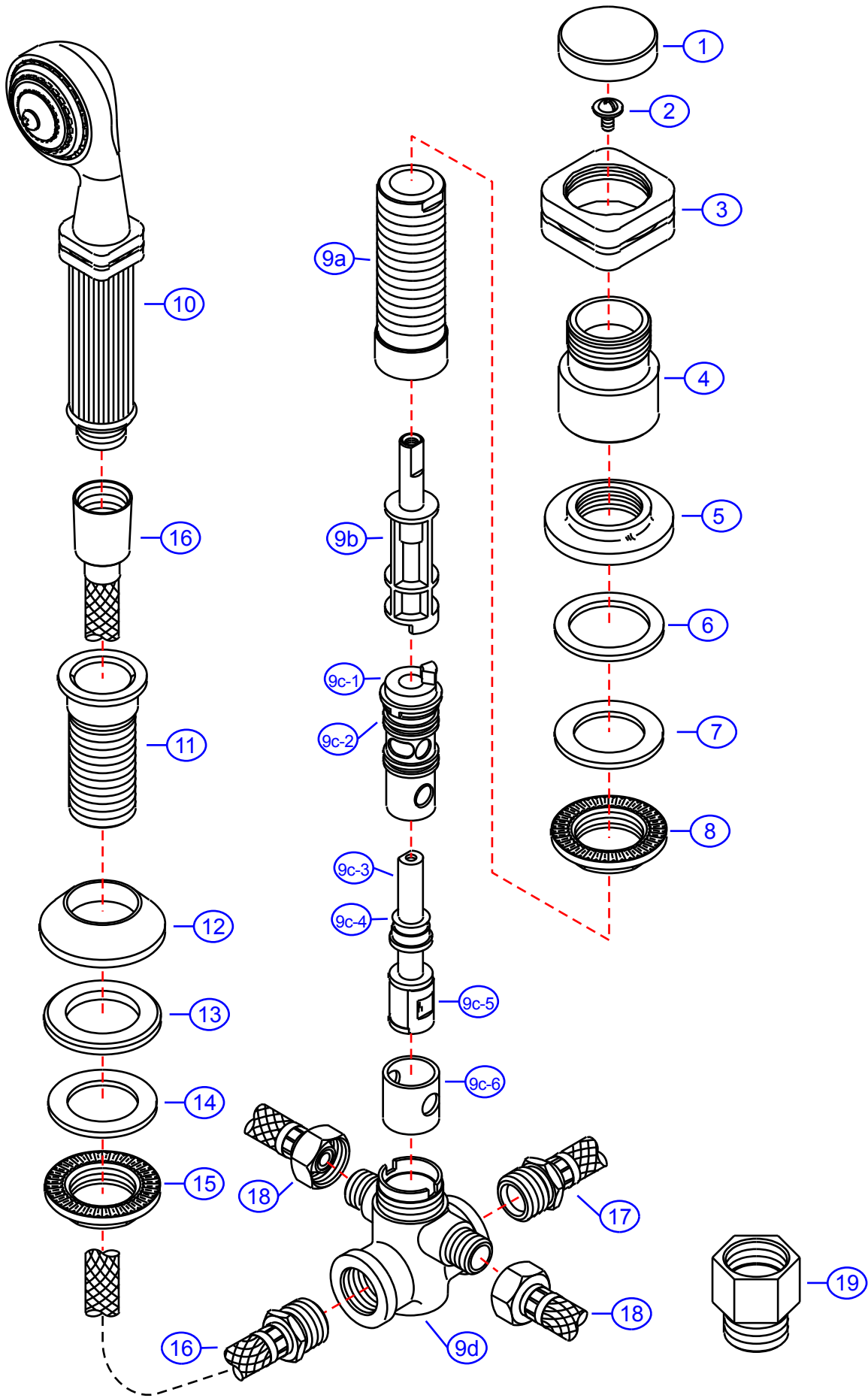
310-H

version 1

by Associated Marketing Concepts
 21624 Marilla Street, Chatsworth, CA 91311-4123
 (800) 270-4262 | (818) 678-1651 | FAX (818) 678-1655
 www.ambassador-amc.com

Ambassador
 FINE FAUCETS

By	SS	Chrome	Model #	310-H v1
Modified/Approved	7-13-04	18k Gold	Series	Hex Ring
Fulfillment	xxxxCG	NA	Valve	Roman Hand Sprayer Kit



310-H v1



Hex Ring Roman Hand Sprayer Kit- CG

#	Description	Quantity	Part #	Finish
1	Cap	1	E-206075CP	Chrome
2	Handle Screw	1	E-008013CP	Chrome
3	Trim Ring	1	E-218027GP	Gold
4	Canopy	1	G-xxxxCP	Chrome
5	Escutcheon	1	G-xxxxGP	Gold
6	Rubber Washer	1	G-xxxx	Rubber
7	Rubber Washer	1	E-010022	Rubber
8	Lock Nut	1	G-xxxx	Brass
9	Diverter Valve (Assembled)	1	G-Axxxx	Brass
9a	Valve Body	1	G-xxxx	Brass
9b	Stem Extention	1	G-10003H	Plastic/Brass
9c	Diverter Cartridge	1	EA-501016	Plastic
9c-1	Diverter Cartridge Housing	1	E-214008*	Plastic
9c-2	O-Ring	1	E-004037*	Rubber
9c-3	Diverter Cartridge Body	1	E-208023*	Plastic
8c-4	O-Ring	1	E-004011*	Rubber
9c-5	Diverter Cartridge Stopper	1	E-010047*	Plastic
9c-6	Diverter Cartridge Boot	1	E-010015*	Rubber
9d	Hose Port	1	G-xxxx	Brass
10	Sprayer	1	E-537471CG	Chrome/Gold
11	Spray Hose Sleeve	1	E-017007CP	Chrome
12	Sleeve Holder	1	E-222002GP	Gold
13	Gasket	1	E-010020	Rubber
14	Rubber Washer	1	E-010023	Rubber
15	Lock Nut	1	E-054025	Brass
16	Sprayer Hose	1	E-511005GP	Gold
17	Tub Spout Hose	1	E-105008	Hose
18	Hose Hot/Cold	2	E-105037	Hose
19	Adapter	1	E-039008	Brass

* Grayed parts are not available individually. "Assembled" item required.

by Associated Marketing Concepts
21624 Marilla Street, Chatsworth, CA 91311-4123
(800) 270-4262 * (818) 678-1651 * FAX (818) 678-1655
www.ambassador-amc.com