

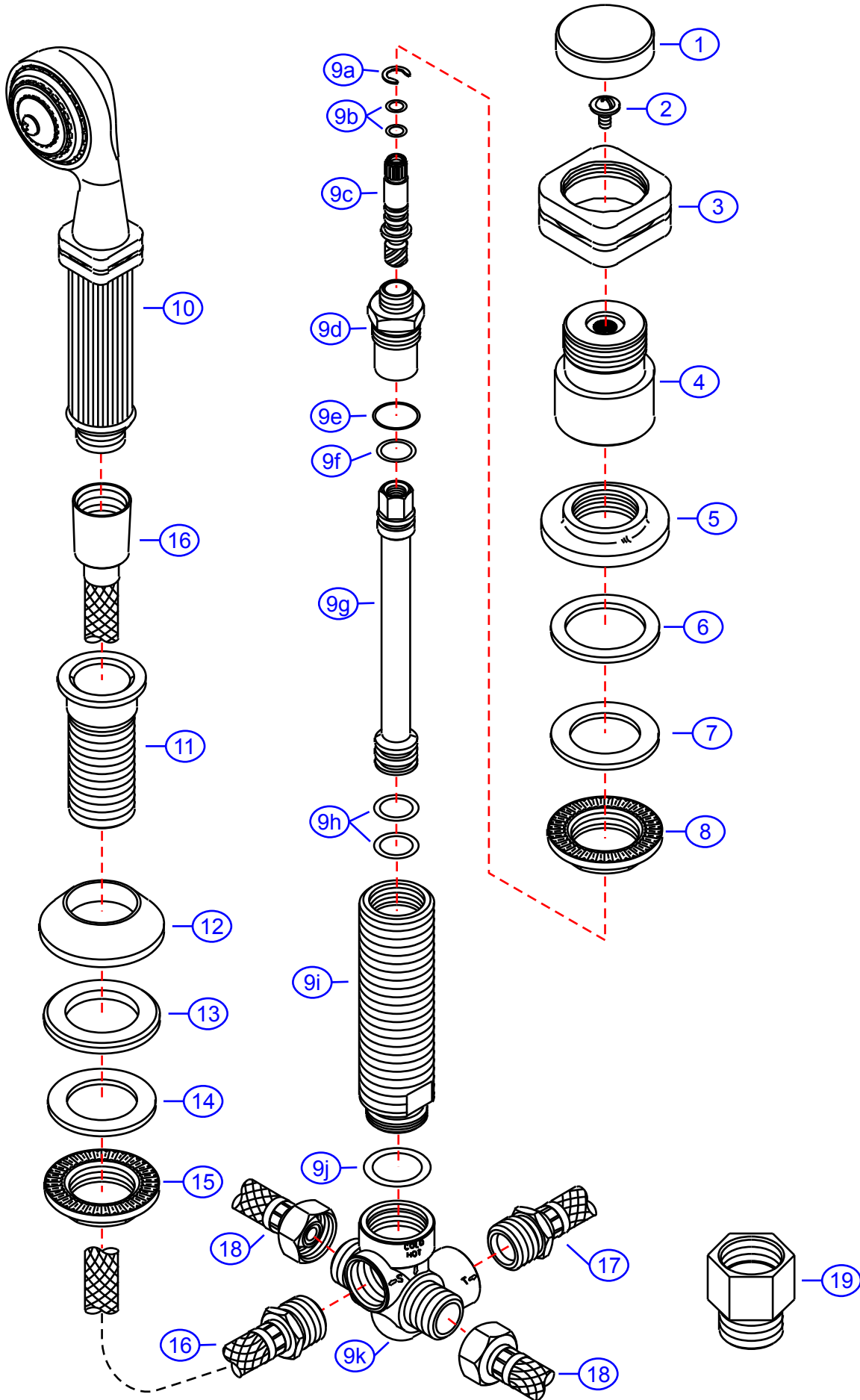
310-H

version 2

by Associated Marketing Concepts
 21624 Marilla Street, Chatsworth, CA 91311-4123
 (800) 270-4262 | (818) 678-1651 | FAX (818) 678-1655
 www.ambassador-amc.com



By	SS	Main Finish	Chrome	Model #	310-H v2
Modified/Approved	7-13-04	Accent Finish	18k Gold	Series	Hex Ring
Fulfillment	A663203CG	Valve	NA	Type	Roman Hand Sprayer Kit



310-H v2



Hex Ring Roman Hand Sprayer Kit- CG

#	Description	Quantity	Part #	Finish
1	Cap	1	E-206075CP	Chrome
2	Handle Screw	1	E-008013CP	Chrome
3	Trim Ring	1	E-218027GP	Gold
4	Canopy	1	E-215018CP	Chrome
5	Escutcheon	1	E-204015GP	Gold
6	Rubber Washer	1	E-010022	Rubber
7	Rubber Washer	1	E-010022	Rubber
8	Lock Nut	1	E-054026	Brass
9	Diverter Valve (Assembled)	1	EA-501122CP	Chrome
9a	"C" Clip	1	E-012014*	Metal
9b	O-Ring	2	E-048089*	Rubber
9c	Stem	1	E-017060CP*	Chrome
9d	Stem Body	1	E-034030CP*	Chrome
9e	O-Ring	1	E-063040*	Rubber
9f	O-Ring	1	E-048011*	Rubber
9g	Plunger	1	E-024046*	Brass
9h	O-Ring	2	E-048075*	Rubber
9i	Valve Body	1	E-014062CP*	Chrome
9j	O-Ring	1	E-048073*	Rubber
9k	Hose Port	1	E-055042CP*	Chrome
10	Sprayer	1	E-537471CG	Chrome/Gold
11	Spray Hose Sleeve	1	E-017007CP	Chrome
12	Sleeve Holder	1	E-222002GP	Gold
13	Gasket	1	E-010020	Rubber
14	Rubber Washer	1	E-010023	Rubber
15	Lock Nut	1	E-054025	Brass
16	Sprayer Hose	1	E-511005GP	Gold
17	Tub Spout Hose	1	E-105008	Hose
18	Hose Hot/Cold	2	E-105037	Hose
19	Adapter	1	E-039008	Brass

* Grayed parts are not available individually. "Assembled" item required.

by Associated Marketing Concepts
 21624 Marilla Street, Chatsworth, CA 91311-4123
 (800) 270-4262 * (818) 678-1651 * FAX (818) 678-1655
www.ambassador-amc.com