

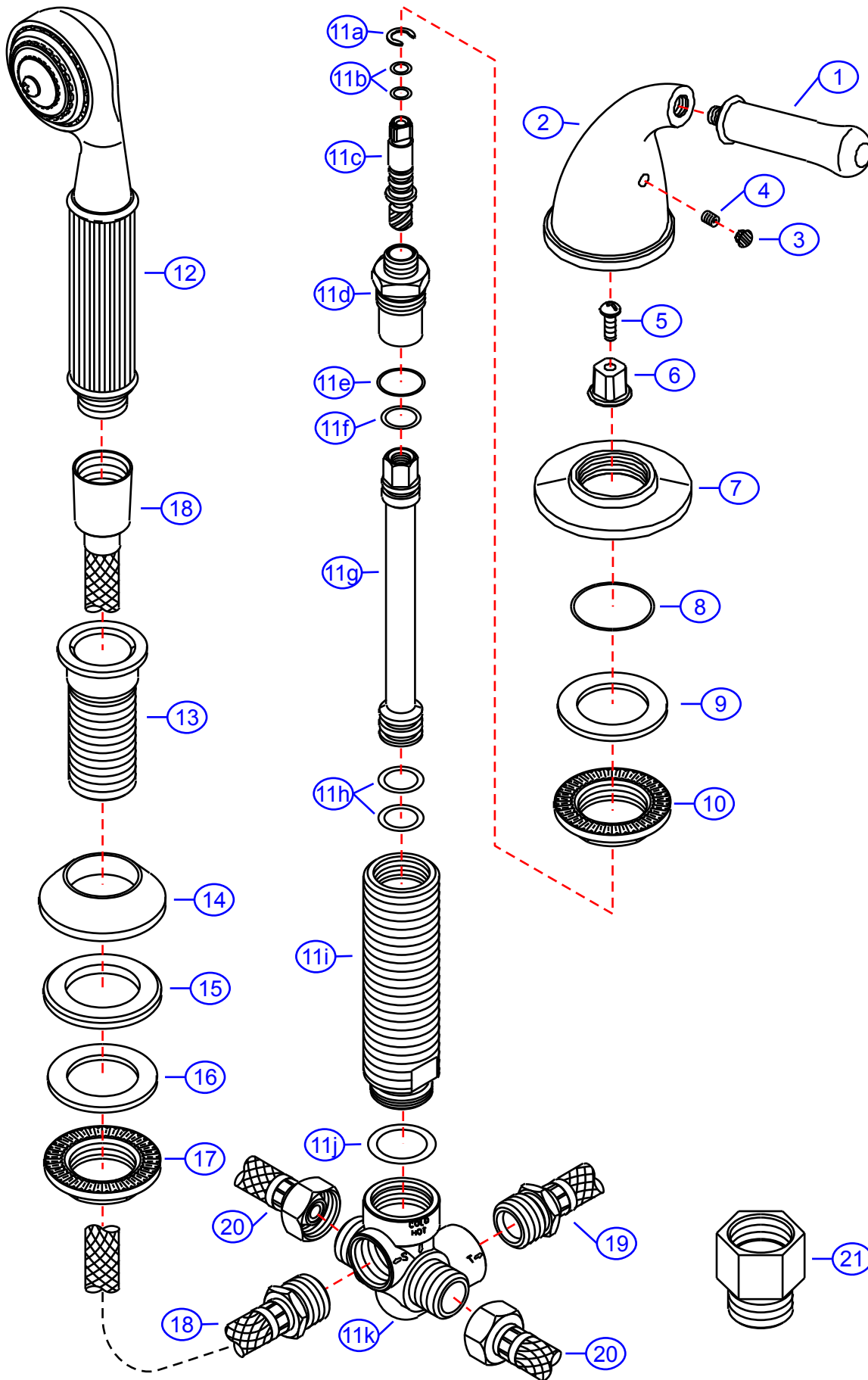
410-T

version 1

by Associated Marketing Concepts
 21624 Manilla Street, Chatsworth, CA 91311-4123
 (800) 270-4262 | (818) 678-1651 | FAX (818) 678-1655
 www.ambassador-amc.com



By	SS	Main Finish	Satin	Model #	410-T v1
Modified/Approved	7-14-04	Accent Finish	Dura-Life Finish	Series	Cleopatra
Fulfillment	xxxxSY	Valve	NA	Type	Roman Hand Sprayer Kit



410-T v1



Cleopatra Roman Hand Sprayer Kit- SY

#	Description	Quantity	Part #	Finish
1	Handle Tip	1	E-108072YP	Dura-Life Finish
2	Handle Canopy	1	E-018079ST	Satin
3	Black Plug	1	E-028046M	Rubber
4	Set Screw	1	E-008003	Metal
5	Screw	1	E-008044CP	Metal
6	Adapter	1	E-110020	Metal
7	Escutcheon	1	E-204016YP	Dura-Life Finish
8	O-Ring	1	E-048054	Rubber
9	Rubber Washer	1	E-010022	Rubber
10	Lock Nut	1	E-054026	Brass
11	Diverter Valve (Assembled)	1	EA-501122CP	Chrome
11a	"C" Clip	1	E-012014*	Metal
11b	O-Ring	2	E-048089*	Rubber
11c	Stem	1	E-017060CP*	Chrome
11d	Stem Body	1	E-034030CP*	Chrome
11e	O-Ring	1	E-063040*	Rubber
11f	O-Ring	1	E-048011*	Rubber
11g	Plunger	1	E-024046*	Brass
11h	O-Ring	2	E-048075*	Rubber
11i	Valve Body	1	E-014062CP*	Chrome
11j	O-Ring	1	E-048073*	Rubber
11k	Hose Port	1	E-055042CP*	Chrome
12	Sprayer	1	E-S2110200SY	Satin/Dura-Life Finish
13	Spray Hose Sleeve	1	E-017007ST	Satin
14	Sleeve Holder	1	E-222002YP	Dura-Life Finish
15	Gasket	1	E-010020	Rubber
16	Rubber Washer	1	E-010023	Rubber
17	Lock Nut	1	E-054025	Brass
18	Sprayer Hose	1	E-511005YP	Dura-Life Finish
19	Tub Spout Hose	1	E-105008	Hose
20	Hose Hot/Cold	2	E-105037	Hose
21	Adapter	1	E-039008	Brass

* Grayed parts are not available individually. "Assembled" item required.

by Associated Marketing Concepts
 21624 Marilla Street, Chatsworth, CA 91311-4123
 (800) 270-4262 * (818) 678-1651 * FAX (818) 678-1655
www.ambassador-amc.com