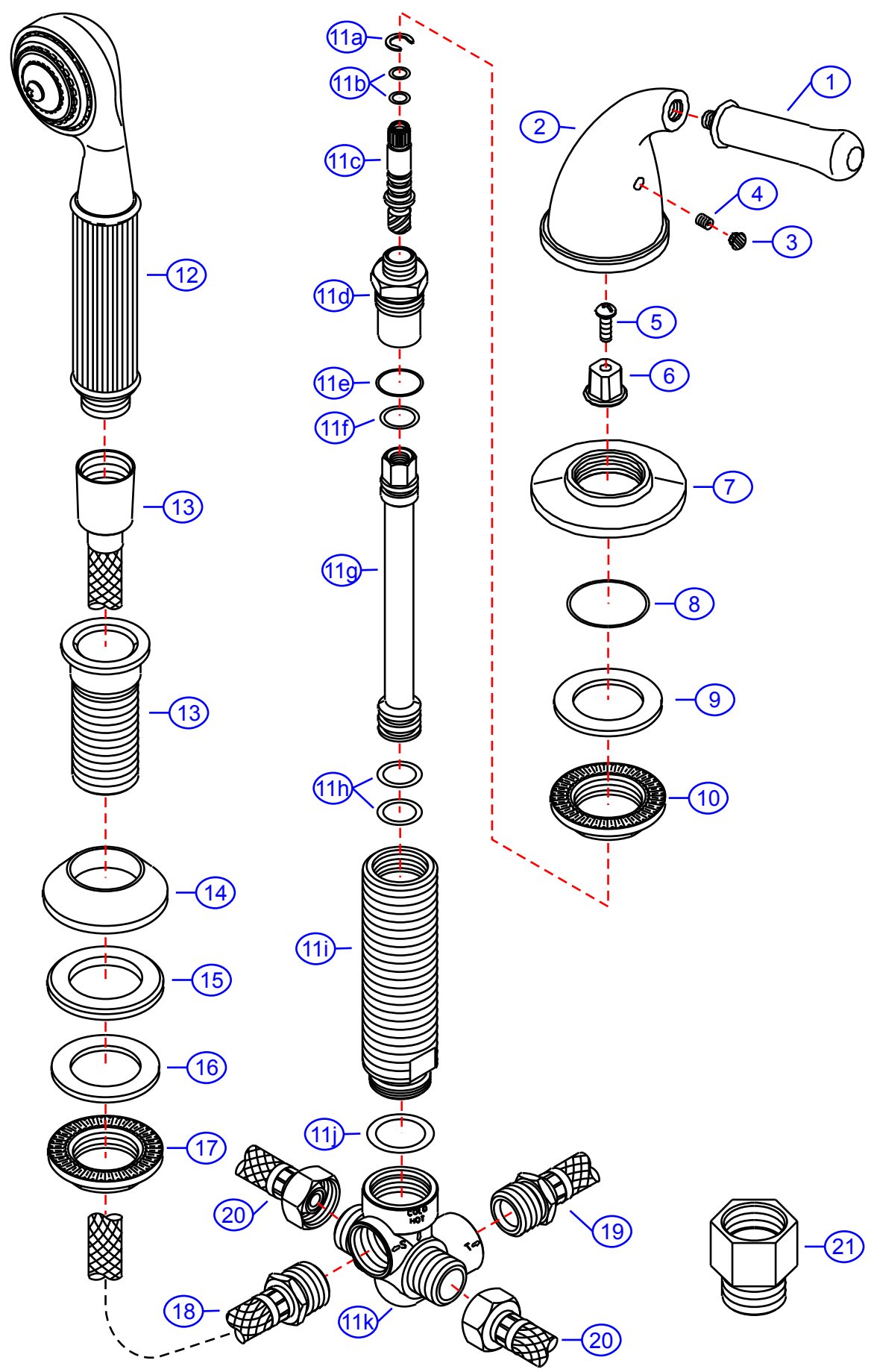


# 410-T

version 2

by Associated Marketing Concepts  
 21624 Marilla Street, Chatsworth, CA 91311-4123  
 (800) 270-4262 | (818) 678-1651 | FAX (818) 678-1655  
 www.ambassador-amc.com

|                   |           |               |                  |         |                        |
|-------------------|-----------|---------------|------------------|---------|------------------------|
| By                | SS        | Main Finish   | Satin            | Model # | <b>410-T v2</b>        |
| Modified/Approved | 3-10-04   | Accent Finish | Dura-Life Finish | Series  | Cleopatra              |
| Fulfillment       | A663202SY | Valve         | NA               | Type    | Roman Hand Sprayer Kit |



# 410-T v2



## Cleopatra Roman Hand Sprayer Kit- SY

| #   | Description                | Quantity | Part #       | Finish                 |
|-----|----------------------------|----------|--------------|------------------------|
| 1   | Handle Tip                 | 1        | E-108072YP   | Dura-Life Finish       |
| 2   | Handle Canopy              | 1        | E-018079ST   | Satin                  |
| 3   | Black Plug                 | 1        | E-028046M    | Rubber                 |
| 4   | Set Screw                  | 1        | E-008003     | Metal                  |
| 5   | Screw                      | 1        | E-008044CP   | Metal                  |
| 6   | Adapter                    | 1        | E-110027     | Metal                  |
| 7   | Escutcheon                 | 1        | E-204016YP   | Dura-Life Finish       |
| 8   | O-Ring                     | 1        | E-048054     | Rubber                 |
| 9   | Rubber Washer              | 1        | E-010022     | Rubber                 |
| 10  | Lock Nut                   | 1        | E-054026     | Brass                  |
| 11  | Diverter Valve (Assembled) | 1        | EA-501122CP  | Chrome                 |
| 11a | "C" Clip                   | 1        | E-012014*    | Metal                  |
| 11b | O-Ring                     | 2        | E-048089*    | Rubber                 |
| 11c | Stem                       | 1        | E-017060CP*  | Chrome                 |
| 11d | Stem Body                  | 1        | E-034030CP*  | Chrome                 |
| 11e | O-Ring                     | 1        | E-063040*    | Rubber                 |
| 11f | O-Ring                     | 1        | E-048011*    | Rubber                 |
| 11g | Plunger                    | 1        | E-024046*    | Brass                  |
| 11h | O-Ring                     | 2        | E-048075*    | Rubber                 |
| 11i | Valve Body                 | 1        | E-014062CP*  | Chrome                 |
| 11j | O-Ring                     | 1        | E-048073*    | Rubber                 |
| 11k | Hose Port                  | 1        | E-055042CP*  | Chrome                 |
| 12  | Sprayer                    | 1        | E-S2110200SY | Satin/Dura-Life Finish |
| 13  | Spray Hose Sleeve          | 1        | E-017007ST   | Satin                  |
| 14  | Sleeve Holder              | 1        | E-222002YP   | Dura-Life Finish       |
| 15  | Gasket                     | 1        | E-010020     | Rubber                 |
| 16  | Rubber Washer              | 1        | E-010023     | Rubber                 |
| 17  | Lock Nut                   | 1        | E-054025     | Brass                  |
| 18  | Sprayer Hose               | 1        | E-511005YP   | Dura-Life Finish       |
| 19  | Tub Spout Hose             | 1        | E-105008     | Hose                   |
| 20  | Hose Hot/Cold              | 2        | E-105037     | Hose                   |
| 21  | Adapter                    | 1        | E-039008     | Brass                  |

\* Grayed parts are not available individually. "Assembled" item required.

by Associated Marketing Concepts  
 21624 Marilla Street, Chatsworth, CA 91311-4123  
 (800) 270-4262 \* (818) 678-1651 \* FAX (818) 678-1655  
[www.ambassador-amc.com](http://www.ambassador-amc.com)