

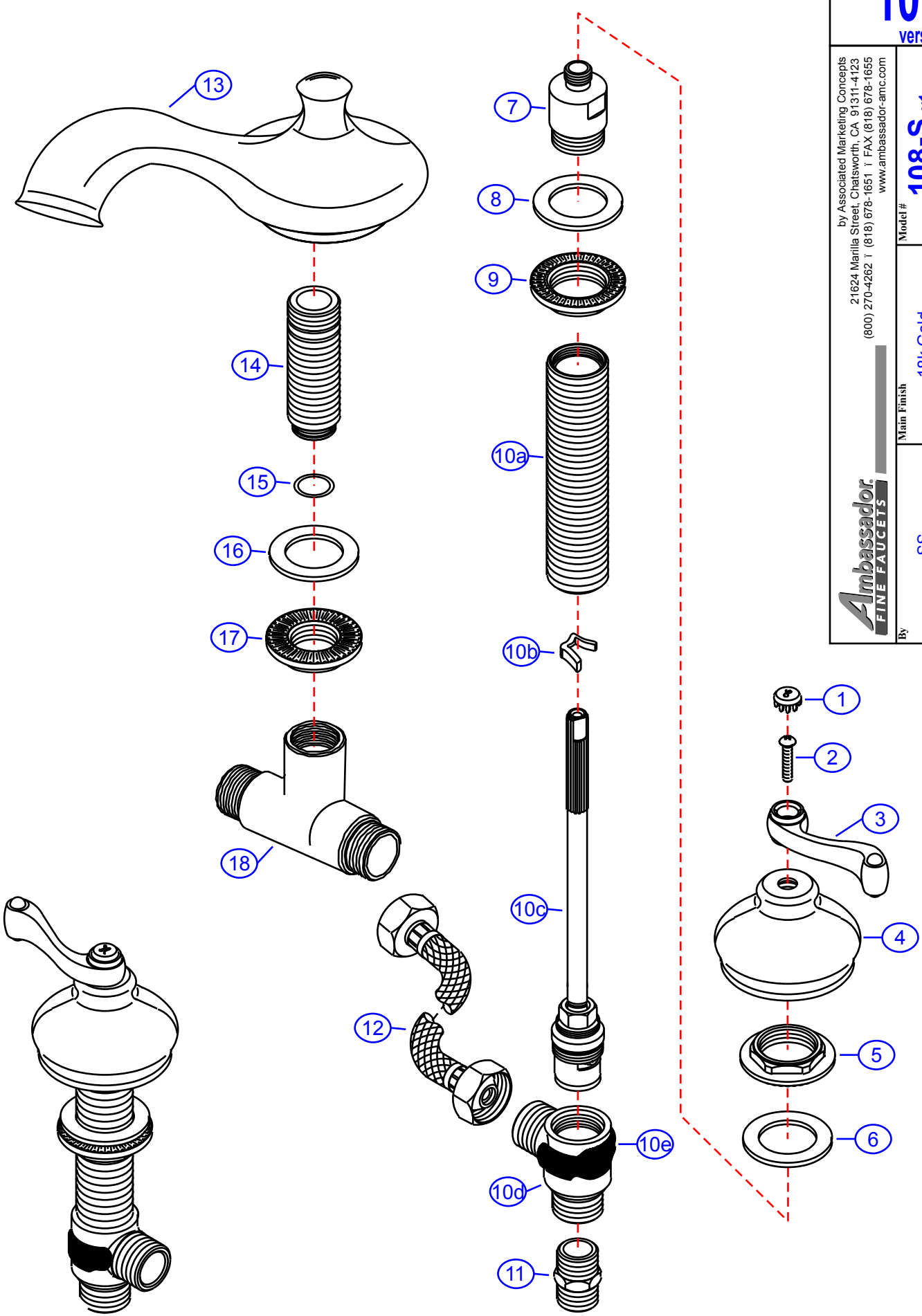
108-S

version 1

by Associated Marketing Concepts
 21624 Manilla Street, Chatsworth, CA 91311-4123
 (800) 270-4262 | (818) 678-1651 | FAX (818) 678-1655
 www.ambassador-amc.com

Ambassador
 FINE FAUCETS

By	SS	Main Finish	18k Gold	Model #	108-S v1
Modified/Approved	3-8-04	Accent Finish	None	Series	"S" Handle
Fulfillment	xxxxGP	Valve	Ceramic Disk	Type	Roman/Whirlpool Tub



108-S v1



"S" Handle Roman/Whirlpool Tub- CD/GP

#	Description	Quantity	Part #	Finish
1	Cap "H"	1	E-206041HGP	Gold
	Cap "C"	1	E-206041CGP	Gold
2	Handle Screw	2	E-008038CP	Chrome
3	"S" Handle (Hot)	1	E-108036HGP	Gold
	"S" Handle (Cold)	1	E-108036CGP	Gold
4	Canopy	2	E-018081GP	Gold
5	Lock Nut	2	G-xxxx	Brass
6	Rubber Washer	2	E-010022	Rubber
7	Adapter	2	E-016018	Brass
8	Rubber Washer	2	E-010022	Rubber
9	Lock Nut	2	G-xxxx	Brass
10	Valve Body (Assembled) Hot	1	G-Axxxx	Brass
	Valve Body (Assembled) Cold	1	G-Axxxx	Brass
10a	Body	2	E-014040*	Brass
10b	"C" Clip	2	E-012019*	Metal
10c	Cartridge (Hot)	1	E-507060H*	Ceramic Disc
	Cartridge (Cold)	1	E-507060C*	Ceramic Disc
10d	Valve Bottom	2	E-061003*	Brass
10e	Clip (Red)	1	E-012024H*	Plastic
	Clip (Blue)	1	E-012024C*	Plastic
11	Reducer	2	E-035002	Brass
12	Hose	2	E-105011	Hose
13	Spout	1	E-100041GP	Gold
14	Spout Shaft	1	E-014006	Brass
15	O-Ring	1	E-004010N	Rubber
16	Rubber Washer	1	E-010023	Rubber
17	Lock Nut	1	E-054027	Brass
18	"T" Connector	1	E-015007	Brass

* Grayed parts are not available individually. "Assembled" item required.

by Associated Marketing Concepts
 21624 Marilla Street, Chatsworth, CA 91311-4123
 (800) 270-4262 * (818) 678-1651 * FAX (818) 678-1655
www.ambassador-amc.com