

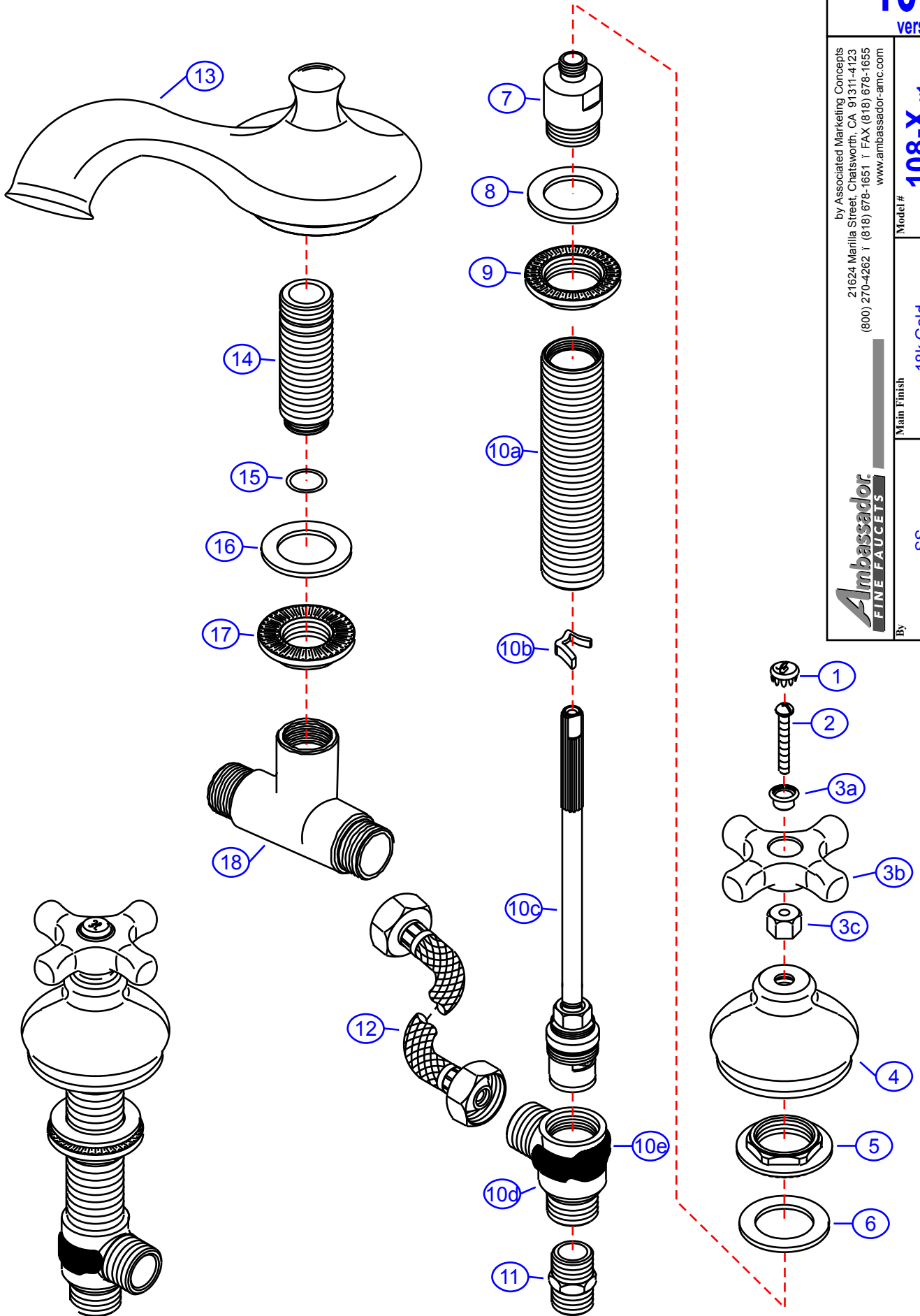
# 108-X

version 1

by Associated Marketing Concepts  
 21624 Manilla Street, Chatsworth, CA 91311-4123  
 (800) 270-4262 | (818) 678-1651 | FAX (818) 678-1655  
 www.ambassador-amc.com

**Ambassador**  
 FINE FAUCETS

|                   |        |               |                 |         |                     |
|-------------------|--------|---------------|-----------------|---------|---------------------|
| By                | SS     | Main Finish   | 18k Gold        | Model # | <b>108-X v1</b>     |
| Modified/Approved | 3-8-04 | Accent Finish | White Porcelain | Series  | Cross Handle        |
| Fulfillment       | xxxxGW | Valve         | Ceramic Disk    | Type    | Roman/Whirlpool Tub |



# 108-X v1



## Cross Handle Roman/Whirlpool Tub- CD/GP

| #   | Description                 | Quantity | Part #      | Finish         |
|-----|-----------------------------|----------|-------------|----------------|
| 1   | Cap "H"                     | 1        | E-206041HGP | Gold           |
|     | Cap "C"                     | 1        | E-206041CGP | Gold           |
| 2   | Handle Screw                | 2        | E-008083CP  | Chrome         |
| 3   | Handle (Cross)              | 2        | G-A90129GP  | Gold/Porcelain |
| 3a  | Screw Housing               | 2        | E-309000GP  | Gold           |
| 3b  | Handle (Cross)              | 2        | E-108025WH  | Porcelain      |
| 3c  | Stem Adapter                | 2        | E-230001    | Brass          |
| 4   | Canopy                      | 2        | E-018081GP  | Gold           |
| 5   | Lock Nut                    | 2        | G-xxxx      | Brass          |
| 6   | Rubber Washer               | 2        | E-010022    | Rubber         |
| 7   | Adapter                     | 2        | E-016018    | Brass          |
| 8   | Rubber Washer               | 2        | E-010022    | Rubber         |
| 9   | Lock Nut                    | 2        | G-xxxx      | Brass          |
| 10  | Valve Body (Assembled) Hot  | 1        | G-Axxxx     | Brass          |
|     | Valve Body (Assembled) Cold | 1        | G-Axxxx     | Brass          |
| 10a | Body                        | 2        | E-014040*   | Brass          |
| 10b | "C" Clip                    | 2        | E-012019*   | Metal          |
| 10c | Cartridge (Hot)             | 2        | E-507060H*  | Ceramic Disc   |
|     | Cartridge (Cold)            | 2        | E-507060C*  | Ceramic Disc   |
| 10d | Valve Bottom                | 2        | E-061003*   | Brass          |
| 10e | Clip (Red)                  | 1        | E-012024H*  | Plastic        |
|     | Clip (Blue)                 | 1        | E-012024C*  | Plastic        |
| 11  | Reducer                     | 2        | E-035002    | Brass          |
| 12  | Hose                        | 2        | E-105011    | Hose           |
| 13  | Spout                       | 1        | E-100041GP  | Gold           |
| 14  | Spout Shaft                 | 1        | E-014006    | Brass          |
| 15  | O-Ring                      | 1        | E-004010N   | Rubber         |
| 16  | Rubber Washer               | 1        | E-010023    | Rubber         |
| 17  | Lock Nut                    | 1        | E-054027    | Brass          |
| 18  | "T" Connector               | 1        | E-015007    | Brass          |

\* Grayed parts are not available individually. "Assembled" item required.

by Associated Marketing Concepts  
 21624 Marilla Street, Chatsworth, CA 91311-4123  
 (800) 270-4262 \* (818) 678-1651 \* FAX (818) 678-1655  
[www.ambassador-amc.com](http://www.ambassador-amc.com)