

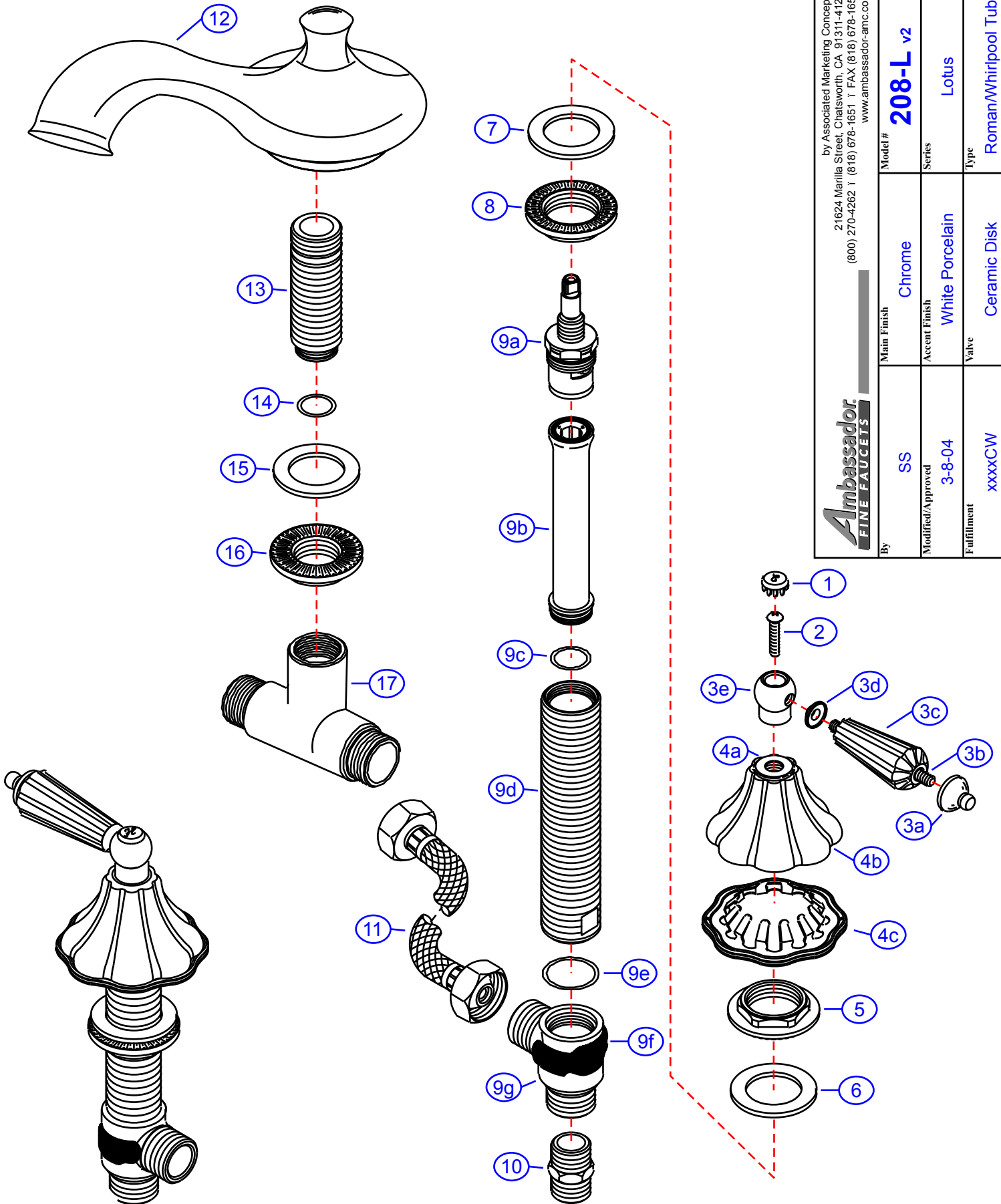
208-L

version 2

by Associated Marketing Concepts
 21624 Manila Street, Chatsworth, CA 91311-4123
 (800) 270-4262 | (818) 678-1651 | FAX (818) 678-1655
 www.ambassador-amc.com

Ambassador
 FINE FAUCETS

By	SS	Chrome	Model #	208-L v2
Modified/Approved	3-8-04	White Porcelain	Series	Lotus
Fulfillment	xxxxCW	Ceramic Disk	Valve	Roman/Whirlpool Tub



208-L v2



Lotus Roman/Whirlpool Tub- CD/CP

#	Description	Quantity	Part #	Finish
1	Cap "H"	1	E-206041HCP	Chrome
	Cap "C"	1	E-206041CCP	Chrome
2	Handle Screw	2	E-008038CP	Chrome
3	Handle Lotus	2	G-A90131CP	Chrome/Porcelain
3a	Handle Tip	2	E-109003CP	Chrome
3b	Handle Rod	2	E-017045	Metal
3c	Handle (Lotus)	2	E-108028WH	Porcelain
3d	Handle Spacer	2	E-107034CP	Chrome
3e	Handle Head	2	E-226002CP	Chrome
4	Canopy (Assembled)	2	EA-667339CP	Chrome/Porcelain
4a	Canopy Threads	2	E-205008CP*	Chrome
4b	Canopy	2	E-018026WH*	Porcelain
4c	Canopy Base	2	E-215020CP*	Chrome
5	Lock Nut	2	E-054026	Brass
6	Rubber Washer	2	E-010022	Rubber
7	Rubber Washer	2	E-010022	Rubber
8	Lock Nut	2	E-054026	Brass
9	Valve Body (Assembled) Hot	1	EA-550112H	Brass
	Valve Body (Assembled) Cold	1	EA-550112C	Brass
9a	Cartridge (Hot)	1	E-507055	Ceramic Disc
	Cartridge (Cold)	1	E-507056	Ceramic Disc
9b	Sleeve	2	E-035105*	Brass
9c	O-Ring	2	E-004074*	Rubber
9d	Body	2	E-014137*	Brass
9e	O-Ring	2	E-004081*	Rubber
9f	Clip (Red)	1	E-012024H*	Plastic
	Clip (Blue)	1	E-012024C*	Plastic
9g	Valve Bottom	2	E-055088*	Brass
10	Reducer	2	E-035002	Brass
11	Hose	2	E-105011	Hose
12	Spout	1	E-100041CP	Chrome
13	Spout Shaft	1	E-014006	Brass
14	O-Ring	1	E-004010N	Rubber
15	Rubber Washer	1	E-010023	Rubber
16	Lock Nut	1	E-054027	Brass
17	"T" Connector	1	E-015007	Brass

* Grayed parts are not available individually. "Assembled" item required.

by Associated Marketing Concepts
 21624 Marilla Street, Chatsworth, CA 91311-4123
 (800) 270-4262 * (818) 678-1651 * FAX (818) 678-1655
 www.ambassador-amc.com